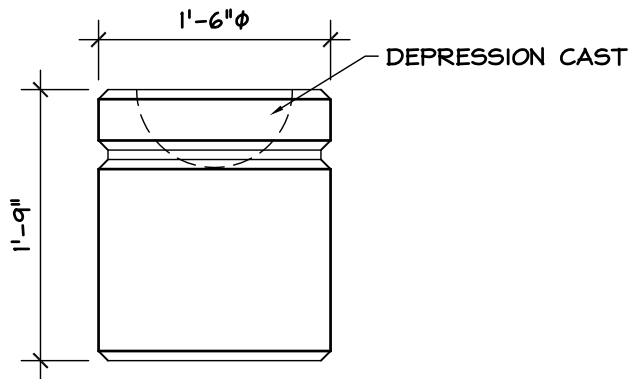


PLAN



ELEVATION

WEIGHT: 475#

CONCRETE SPECIFICATIONS

4000 f'c 28-DAY COMPRESSIVE STRENGTH
 4-7% ENTRAINED AIR
 POLYPROPYLENE FIBER REINFORCING

FORMS

SMOOTH SURFACE FIBERGLASS

COLORS

GREY OR INTEGRAL COLOR (COHILLS COLOR
 PIGMENTS AVAILABLE)

FINISHES

A RANGE OF SANDBLAST TEXTURES
 SMOOTH AS CAST
 CUSTOMIZED
 CLEAR SEALER

SAN JUAN ASH URN

CU-1821

ARCHITECTURAL PRECAST CONCRETE
MATERIALS, INC.