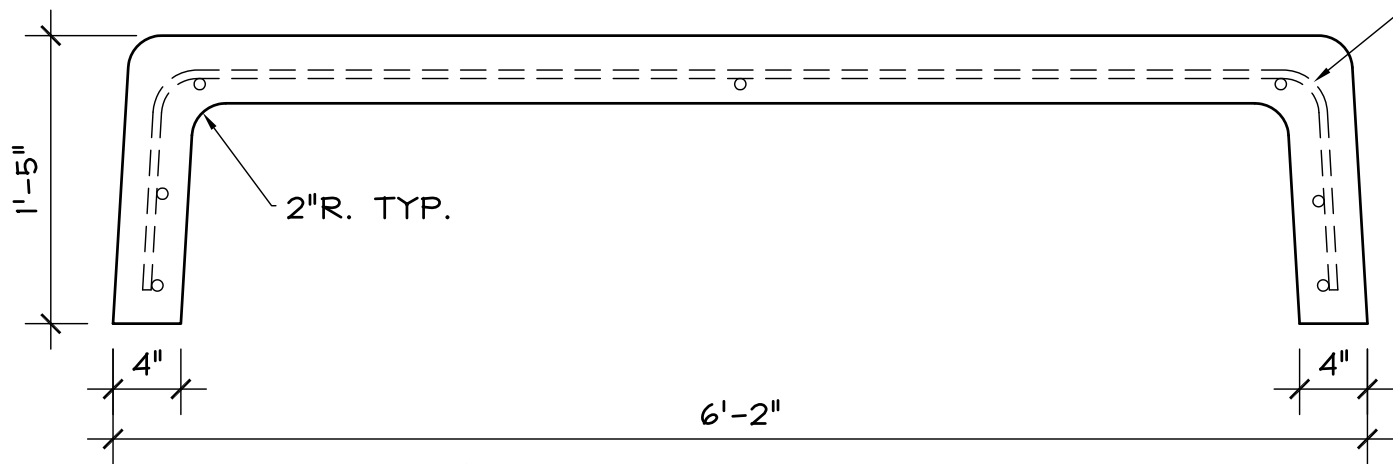
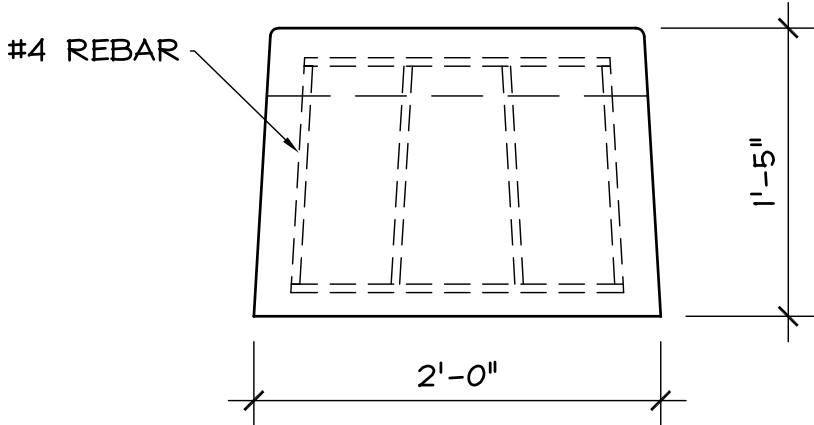


PLAN



ELEVATION



END

#4 REBAR

2"R. TYP.

WEIGHT: 725#

CONCRETE SPECIFICATIONS

4000 f'c 28-DAY COMPRESSIVE STRENGTH  
 4-7% ENTRAINED AIR  
 MILD STEEL REINFORCING AS REQUIRED  
 POLYPROPYLENE FIBER SECONDARY REINFORCING

FORMS

SMOOTH SURFACE FIBERGLASS

COLORS

GREY OR INTEGRAL COLOR (COHILLS COLOR PIGMENTS AVAILABLE)

STANDARD FINISH

SMOOTH  
 COLORED CONCRETE: COLOR SEAL  
 CLEAR SEALER

TAOS  
 BENCH

BN-2474

ARCHITECTURAL PRECAST CONCRETE  
**MATERIALS, INC.**