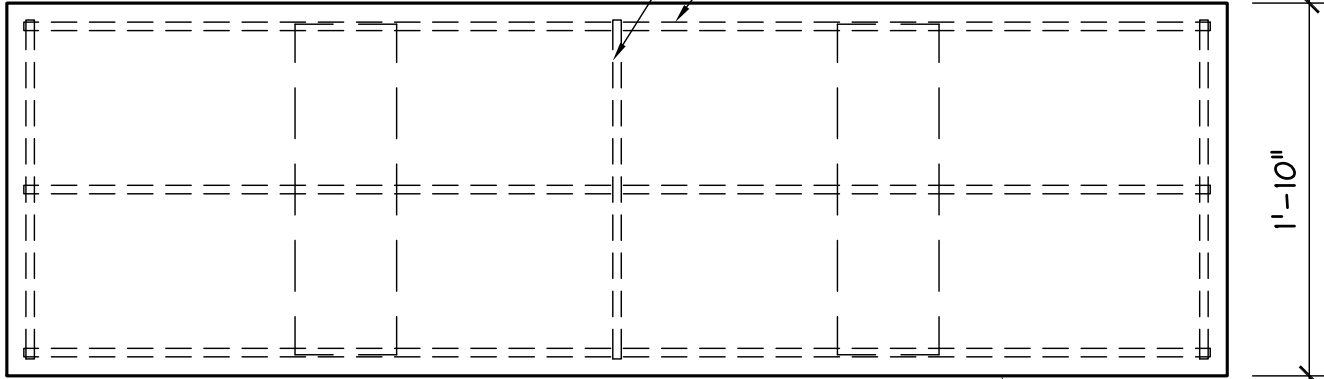


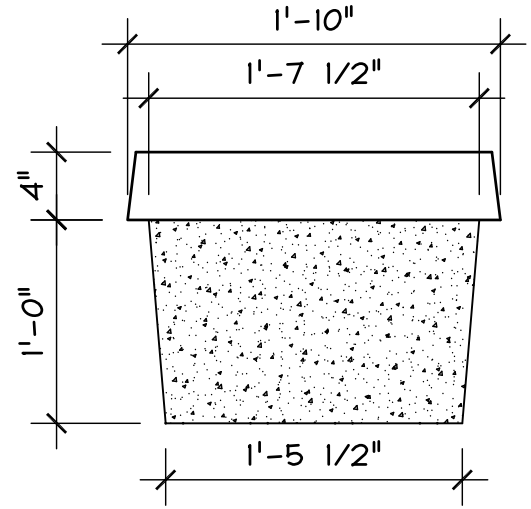
BENCH TOP TO LEG ATTACHMENT:
 (2) 1/2" BOLTS @ EA. LEG PLACED
 INTO 1" DIA. VOID IN LEGS FILLED
 WITH EPOXY

3-#4X20"
 EQ. SPACING
 3-#4X70"
 EQ. SPACING

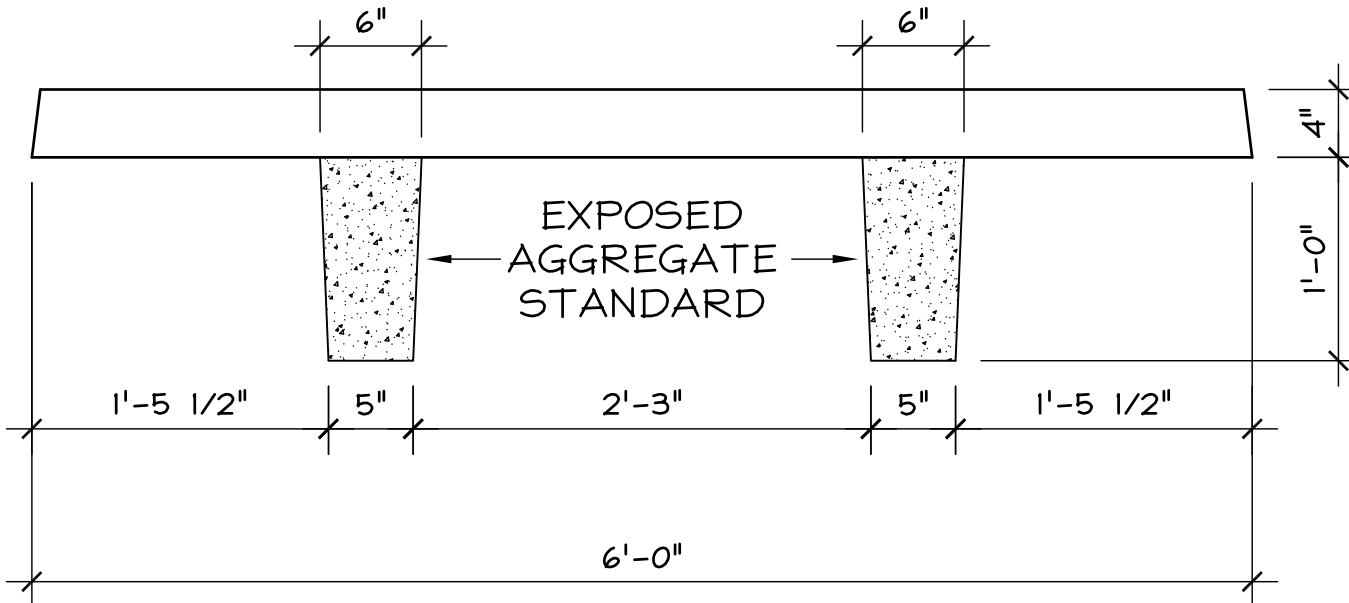


PLAN

ALL CORNERS
 1/4" R.



END ELEVATION



ELEVATION

WEIGHT: 750

CONCRETE SPECIFICATIONS

4000 f'c 28-DAY COMPRESSIVE STRENGTH
 4-7% ENTRAINED AIR
 MILD STEEL REINFORCING AS REQUIRED
 POLYPROPYLENE FIBER SECONDARY
 REINFORCING

FORMS

SMOOTH SURFACE FIBERGLASS

COLORS

GREY OR INTEGRAL COLOR (COHILLS COLOR
 PIGMENTS AVAILABLE)

STANDARD FINISH

SMOOTH TOPS
 EXPOSED AGGREGATE PEDESTAL
 COLORED CONCRETE: COLOR SEAL TOPS
 CLEAR SEALER

GOTHIC
 BENCH

BN-2272

ARCHITECTURAL PRECAST CONCRETE
MATERIALS, INC.