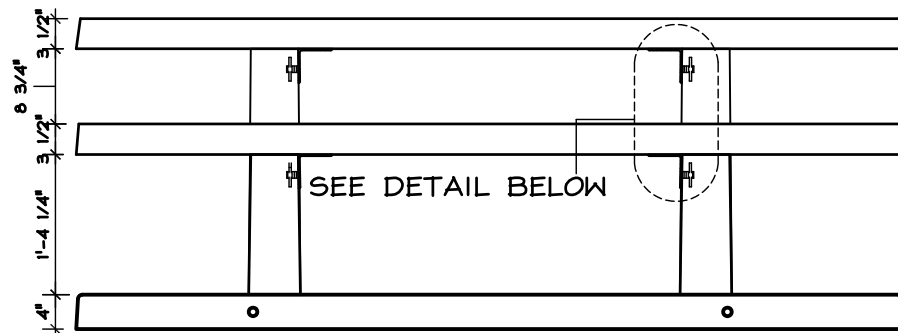
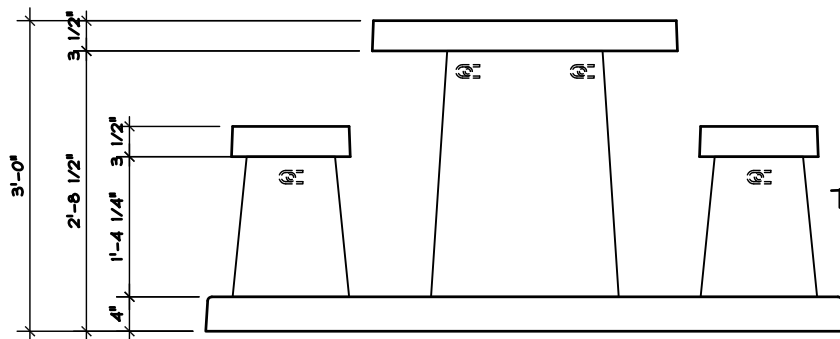


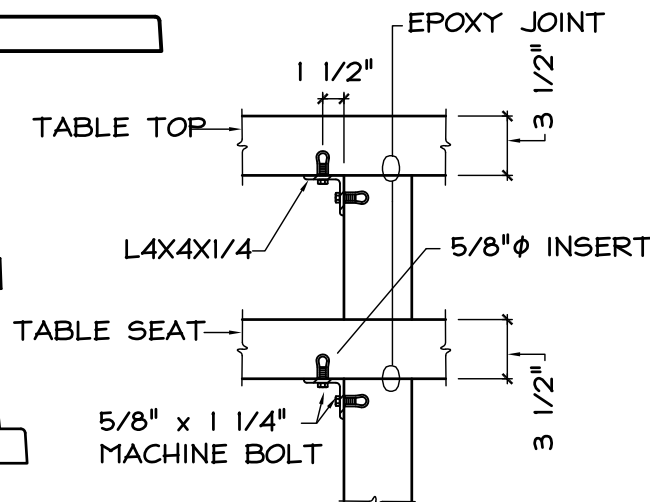
PLAN



96" SIDE ELEVATION



74" SIDE ELEVATION



TOTAL WEIGHT: 5515#

CONCRETE SPECIFICATIONS

4000 f'c 28-DAY COMPRESSIVE STRENGTH
 4-7% ENTRAINED AIR
 STEEL REINFORCING AS DETAILED
 POLYPROPYLENE FIBER SECONDARY REINFORCING

FORMS

SMOOTH SURFACE FIBERGLASS

COLORS

GREY, OR INTEGRAL COLOR (COHILLS COLOR PIGMENTS AVAILABLE)

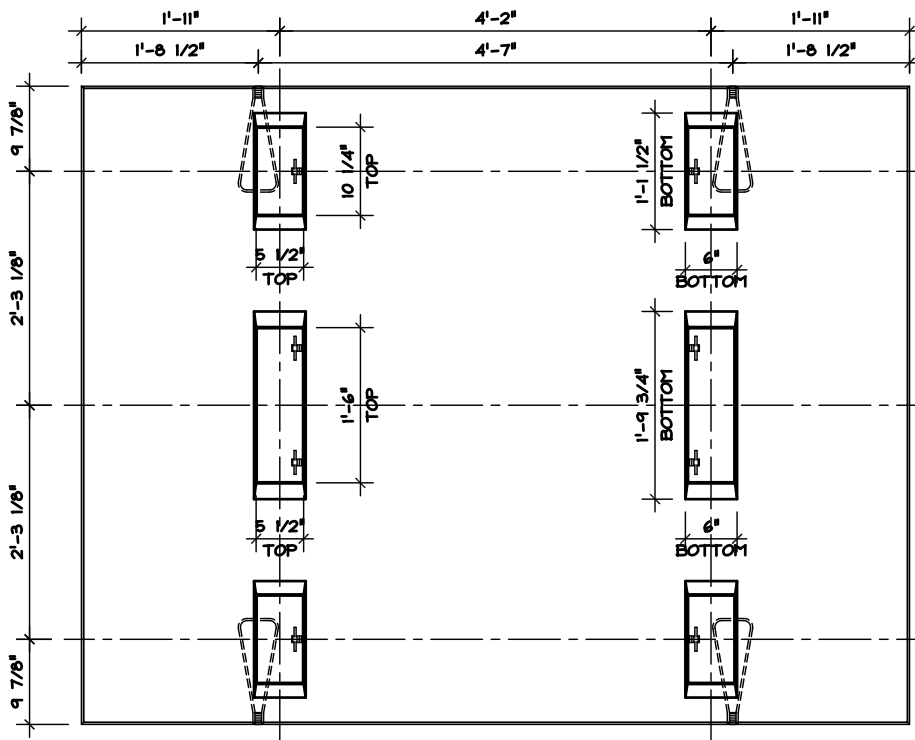
FINISHES

SMOOTH TABLE AND BENCH TOPS
 LIGHT SANDBLAST BASE
 CLEAR SEALER

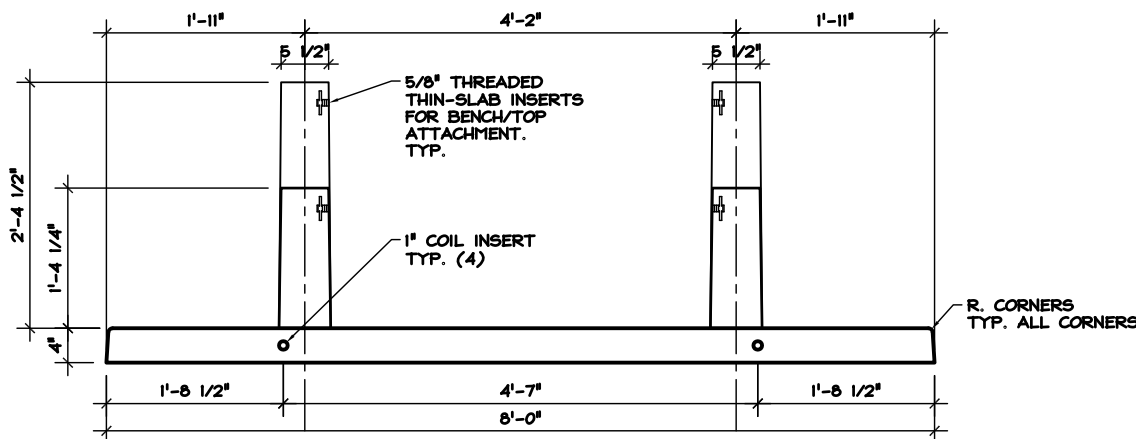
RIO RANCHO
 PICNIC TABLE

TS-7496

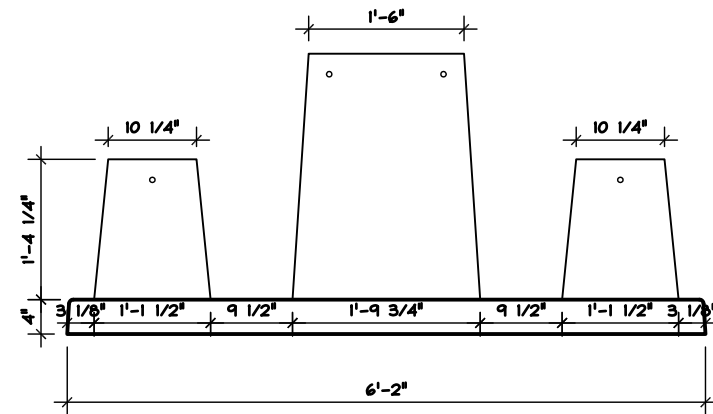
ARCHITECTURAL PRECAST CONCRETE
MATERIALS, INC.



PLAN



96" SIDE ELEVATION



74" SIDE ELEVATION

PEDESTAL WEIGHT: 3580#

CONCRETE SPECIFICATIONS

4000 f'c 28-DAY COMPRESSIVE STRENGTH
 4-7% ENTRAINED AIR
 STEEL REINFORCING AS DETAILED
 POLYPROPYLENE FIBER SECONDARY
 REINFORCING

FORMS

SMOOTH SURFACE FIBERGLASS

COLORS

GREY, OR INTEGRAL COLOR (COHILLS
 COLOR PIGMENTS AVAILABLE)

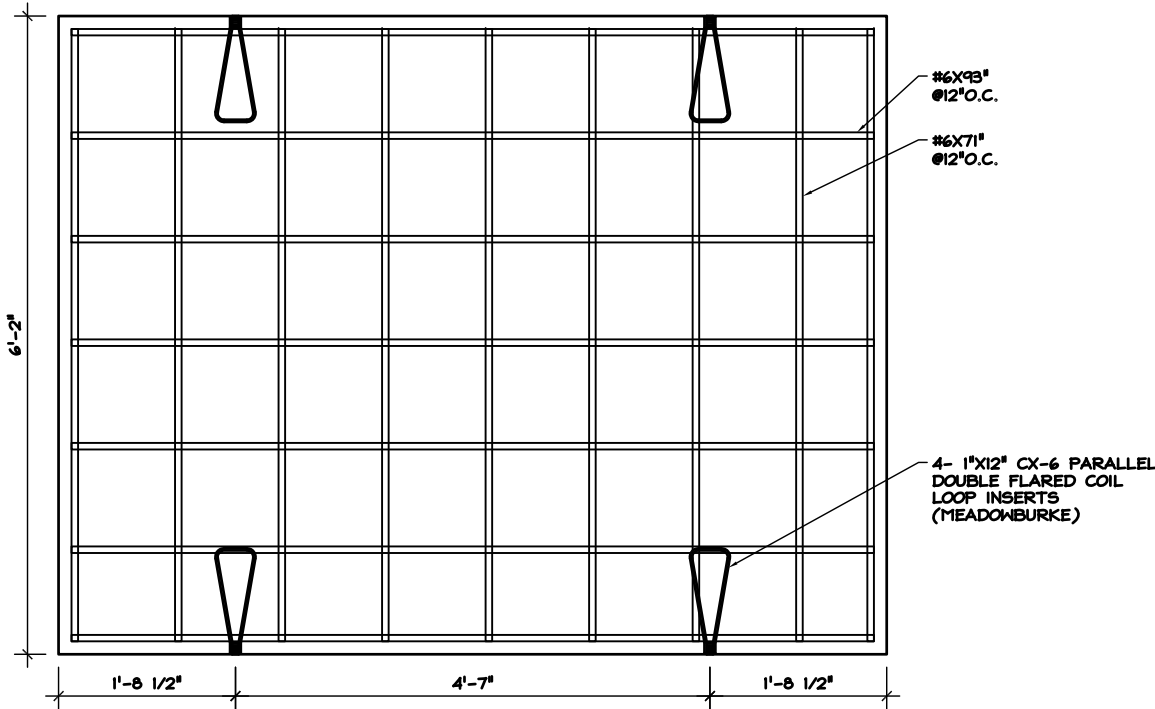
FINISHES

SMOOTH TABLE AND BENCH TOPS
 LIGHT SANDBLAST BASE
 CLEAR SEALER

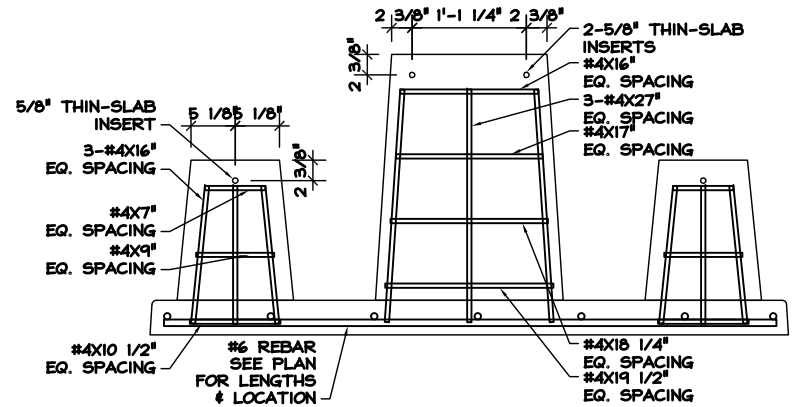
RIO RANCHO
 PEDESTAL

TS-7496

ARCHITECTURAL PRECAST CONCRETE
MATERIALS, INC.



PLAN



74" SIDE ELEVATION

PEDESTAL WEIGHT: 3580#

CONCRETE SPECIFICATIONS

4000 f'c 28-DAY COMPRESSIVE STRENGTH
 4-7% ENTRAINED AIR
 STEEL REINFORCING AS DETAILED
 POLYPROPYLENE FIBER SECONDARY REINFORCING

FORMS

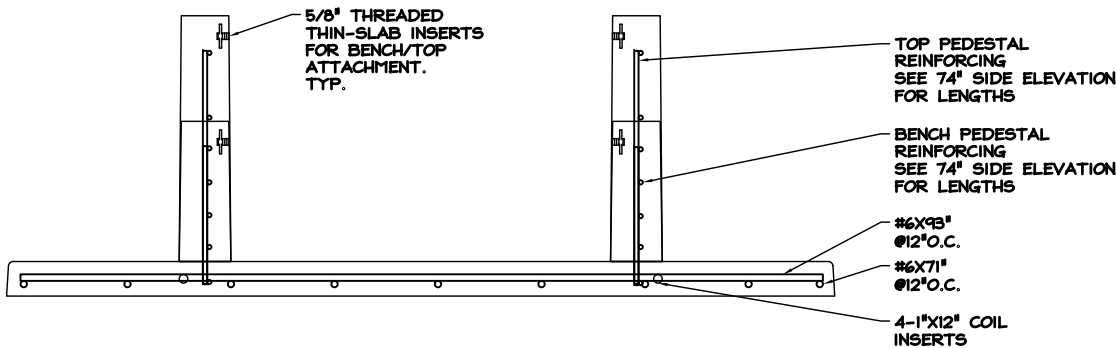
SMOOTH SURFACE FIBERGLASS

COLORS

GREY, OR INTEGRAL COLOR (COHILLS COLOR PIGMENTS AVAILABLE)

FINISHES

SMOOTH TABLE AND BENCH TOPS
 LIGHT SANDBLAST BASE
 CLEAR SEALER

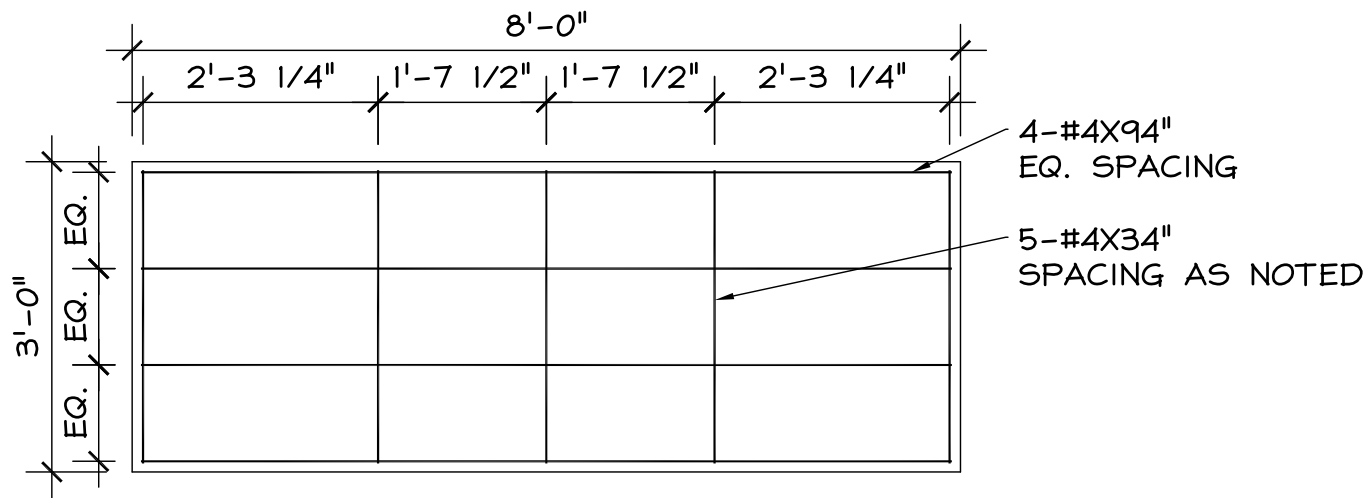
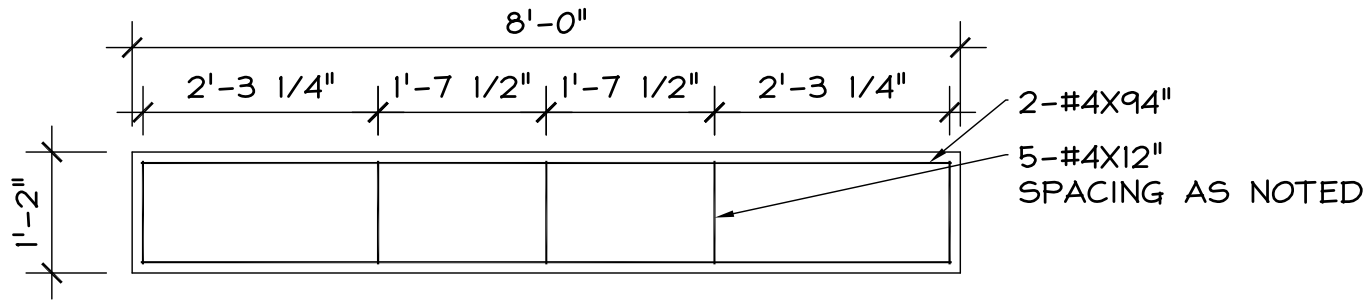


96" SIDE ELEVATION

RIO RANCHO
 PEDESTAL-REINFORCING

TS-7496

ARCHITECTURAL PRECAST CONCRETE
MATERIALS, INC.



BENCH WEIGHT: 425#

TOP WEIGHT: 1085#

CONCRETE SPECIFICATIONS

4000 f'c 28-DAY COMPRESSIVE STRENGTH
 4-7% ENTRAINED AIR
 MILD STEEL REINFORCING AS DETAILED
 POLYPROPYLENE FIBER SECONDARY REINFORCING

FORMS

SMOOTH SURFACE FIBERGLASS

COLORS

GREY OR INTEGRAL COLOR (COHILLS COLOR PIGMENTS AVAILABLE)

FINISHES

A RANGE OF SANDBLAST TEXTURES
 SMOOTH AS CAST
 CUSTOMIZED

RANCHERO
 PICNIC TABLE

REINFORCING DETAIL
 TABLE & BENCHES

ARCHITECTURAL PRECAST CONCRETE
MATERIALS, INC.