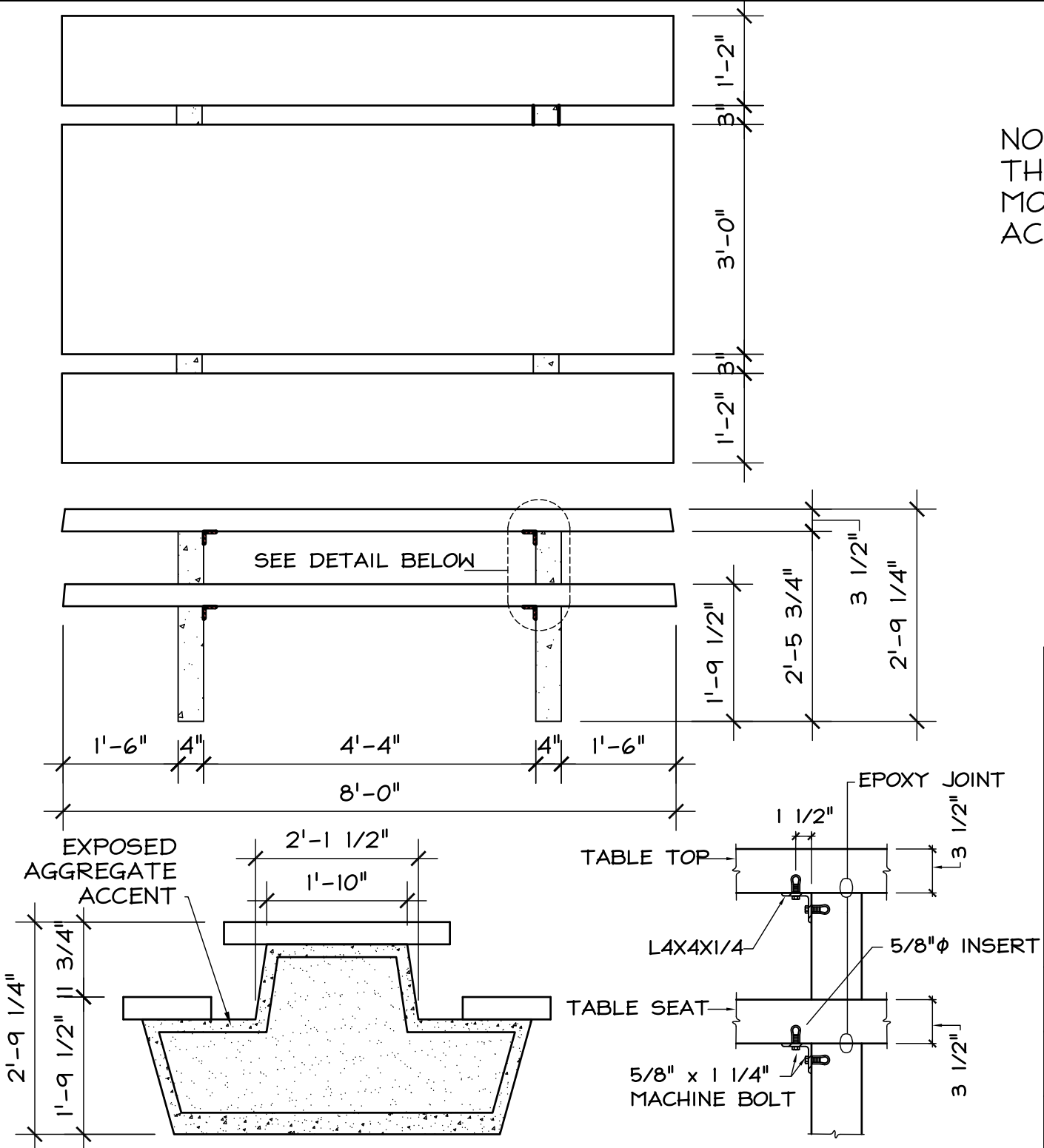
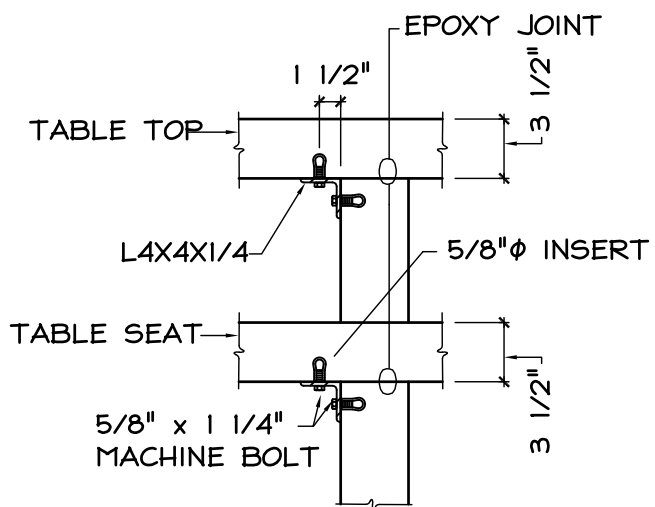
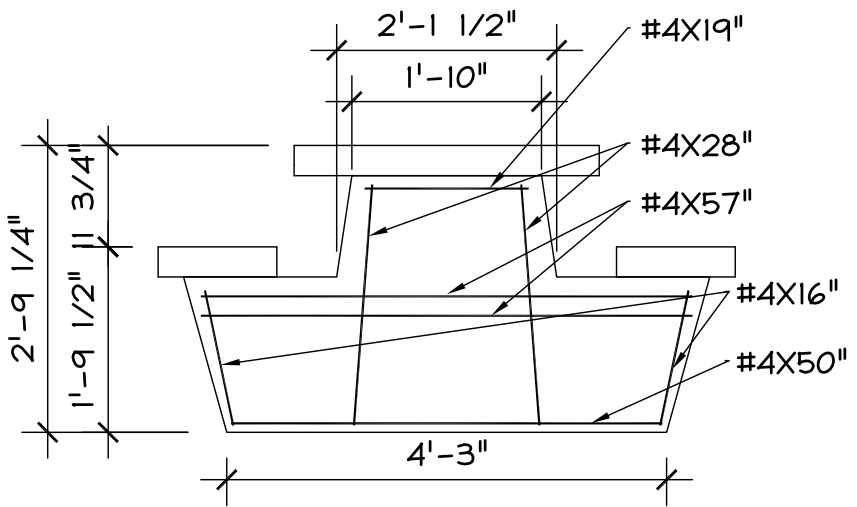
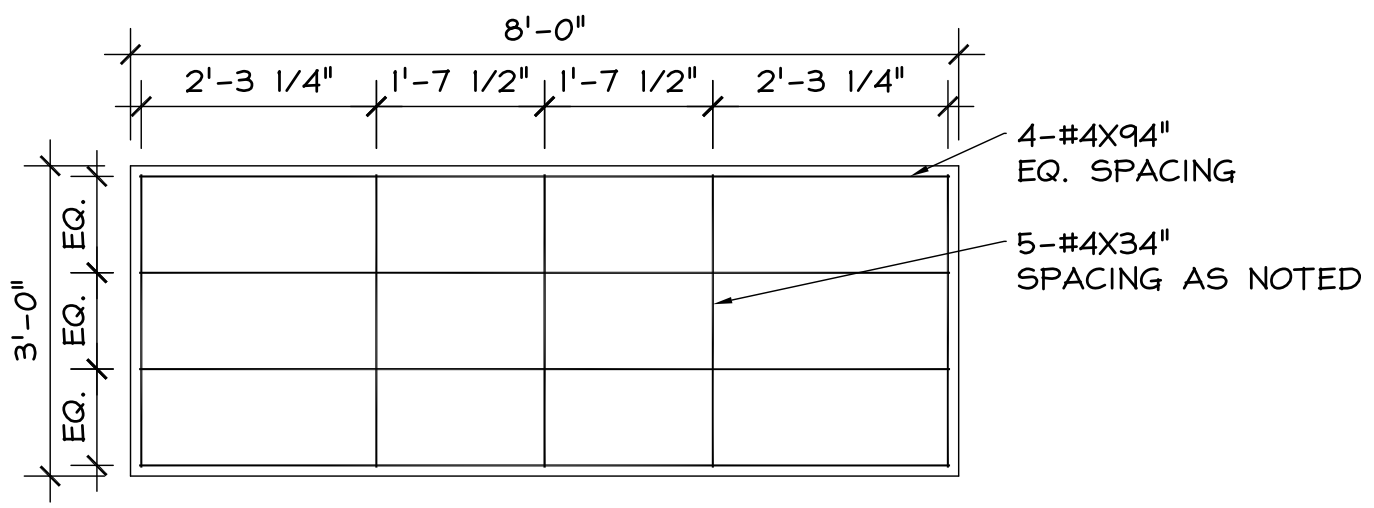
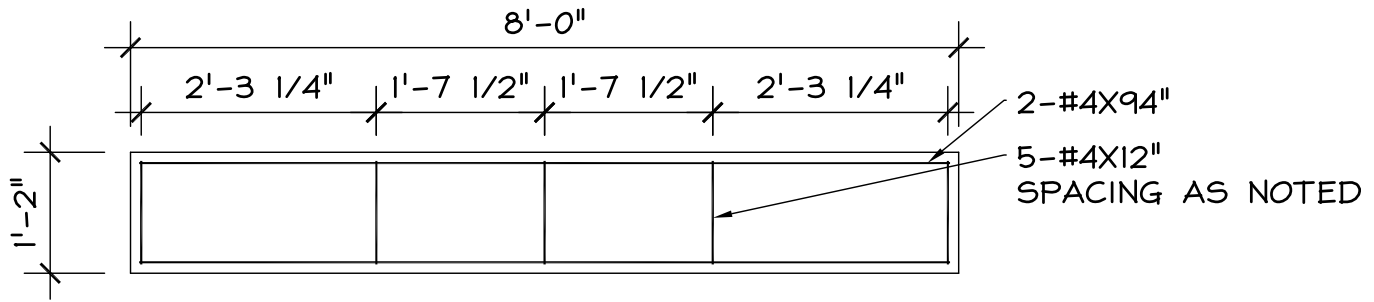


NOTE:
THIS TABLE SET CAN BE
MODIFIED FOR HANDICAP
ACCESSIBILITY.



WEIGHT: 2530#

<p>CONCRETE SPECIFICATIONS 4000 f'c 28-DAY COMPRESSIVE STRENGTH 4-7% ENTRAINED AIR MILD STEEL REINFORCING AS DETAILED POLYPROPYLENE FIBER SECONDARY REINFORCING</p>
<p>FORMS SMOOTH SURFACE FIBERGLASS</p>
<p>COLORS GREY, OR INTEGRAL COLOR (COHILLS COLOR PIGMENTS AVAILABLE)</p>
<p>FINISHES A RANGE OF SANDBLAST TEXTURES SMOOTH AS CAST CUSTOMIZED</p>
<p>RANCHERO PICNIC TABLE</p>
<p>TS-3696</p>
<p>ARCHITECTURAL PRECAST CONCRETE MATERIALS, INC.</p>



WEIGHT: 2530#

CONCRETE SPECIFICATIONS
 4000 f'c 28-DAY COMPRESSIVE STRENGTH
 4-7% ENTRAINED AIR
 MILD STEEL REINFORCING AS DETAILED
 POLYPROPYLENE FIBER SECONDARY REINFORCING

FORMS
 SMOOTH SURFACE FIBERGLASS

COLORS
 GREY OR INTEGRAL COLOR (COHILLS COLOR PIGMENTS AVAILABLE)

FINISHES
 A RANGE OF SANDBLAST TEXTURES
 SMOOTH AS CAST
 CUSTOMIZED

**RANCHERO
 PICNIC TABLE**

REINFORCING DETAIL

ARCHITECTURAL PRECAST CONCRETE
MATERIALS, INC.