

WEIGHT: 1170 #

CONCRETE SPECIFICATIONS
 4000 f'c 28-DAY COMPRESSIVE STRENGTH
 4-7% ENTRAINED AIR
 MILD STEEL REINFORCING AS REQUIRED
 POLYPROPYLENE FIBER SECONDARY REINFORCING

FORMS
 SMOOTH SURFACE FIBERGLASS

COLORS
 GREY OR INTEGRAL COLOR (COHILLS COLOR
 PIGMENTS AVAILABLE)

STANDARD FINISH
 SMOOTH TOPS
 EXPOSED AGGREGATE PEDESTAL & LEGS
 COLORED CONCRETE: COLOR SEAL TOPS
 CLEAR SEALER

CIMARRON
 TABLE & BENCH SET

TS-0036

ARCHITECTURAL PRECAST CONCRETE
MATERIALS, INC.

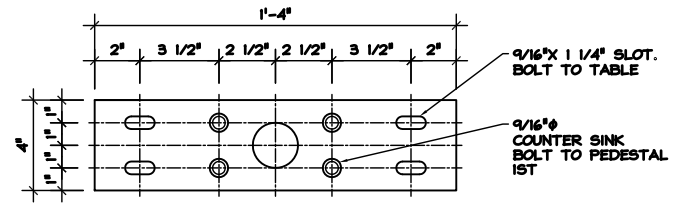
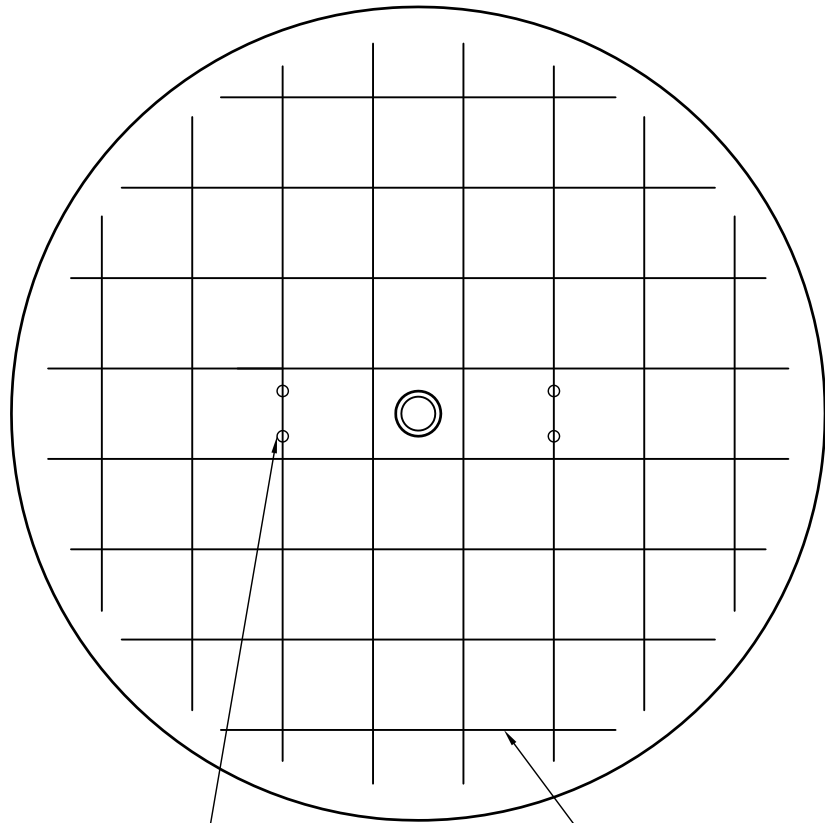


TABLE PLATE- PLAN

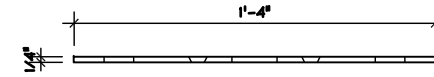
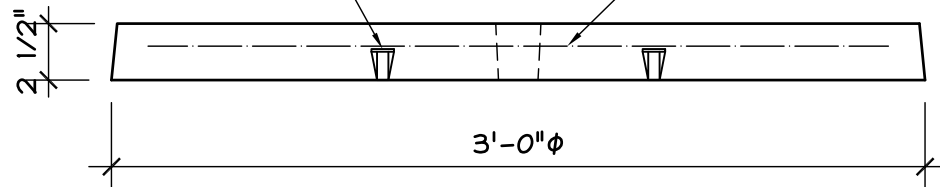


TABLE PLATE- ELEVATION

4-1/2" THREADED INSERTS

4X4 WWF



WEIGHT: 230#

CONCRETE SPECIFICATIONS

4000 f'c 28-DAY COMPRESSIVE STRENGTH
 4-7% ENTRAINED AIR
 MILD STEEL REINFORCING AS REQUIRED
 POLYPROPYLENE FIBER SECONDARY REINFORCING

FORMS

SMOOTH SURFACE FIBERGLASS

COLORS

GREY OR INTEGRAL COLOR (COHILLS COLOR PIGMENTS AVAILABLE)

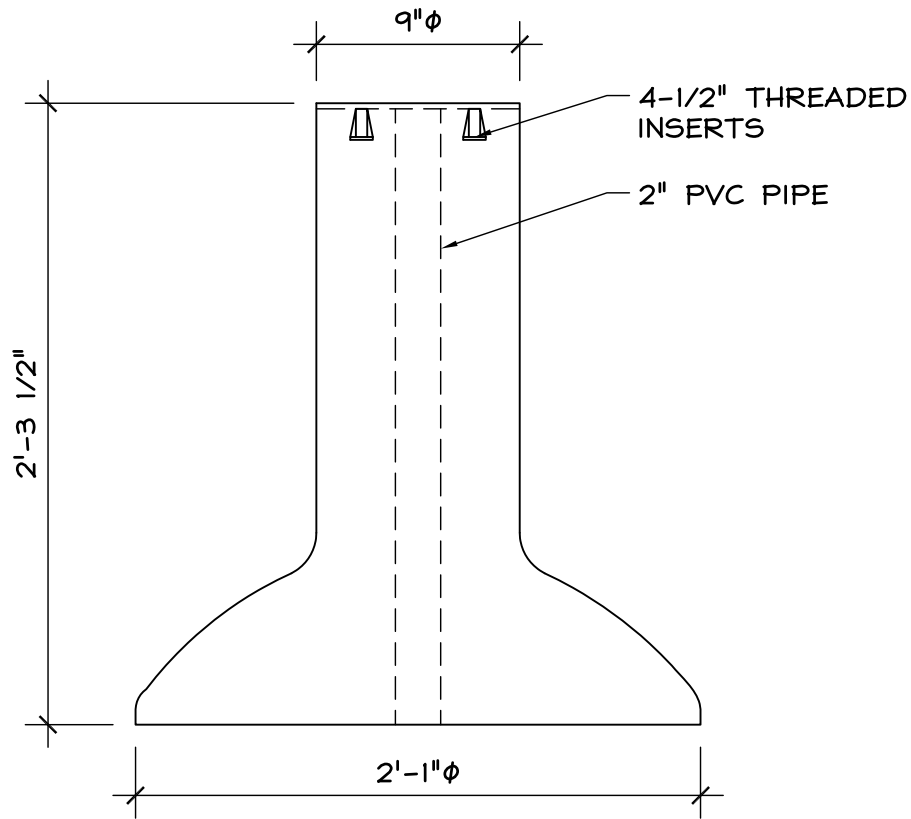
STANDARD FINISH

SMOOTH TOPS
 EXPOSED AGGREGATE PEDESTAL & LEGS
 COLORED CONCRETE: COLOR SEAL TOPS
 CLEAR SEALER

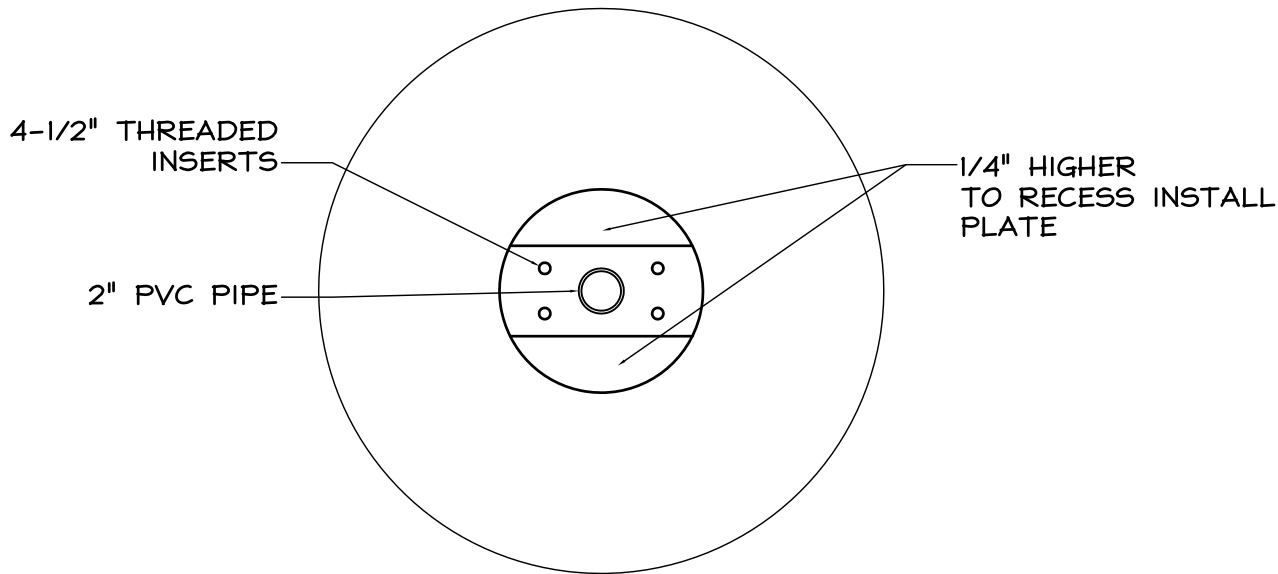
CIMARRON
 TABLE TOP

TS-0036

ARCHITECTURAL PRECAST CONCRETE
MATERIALS, INC.



PEDESTAL ELEVATION



PEDESTAL PLAN

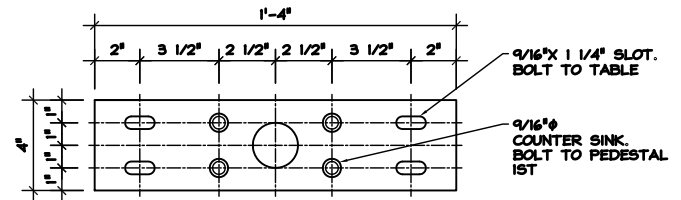


TABLE PLATE- PLAN

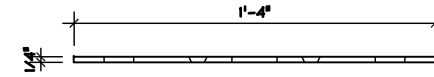
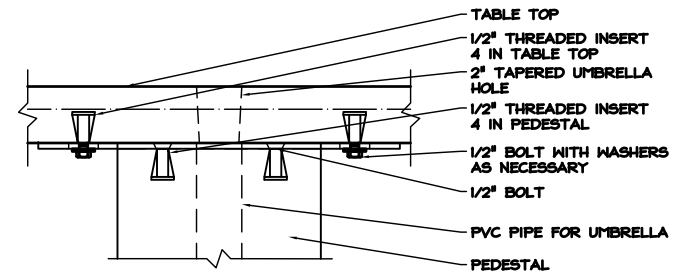


TABLE PLATE- ELEVATION



INSTALLATION DETAIL

WEIGHT: 235#

CONCRETE SPECIFICATIONS

4000 f'c 28-DAY COMPRESSIVE STRENGTH
 4-7% ENTRAINED AIR
 MILD STEEL REINFORCING AS REQUIRED
 POLYPROPYLENE FIBER SECONDARY REINFORCING

FORMS

SMOOTH SURFACE FIBERGLASS

COLORS

GREY OR INTEGRAL COLOR (COHILLS COLOR PIGMENTS AVAILABLE)

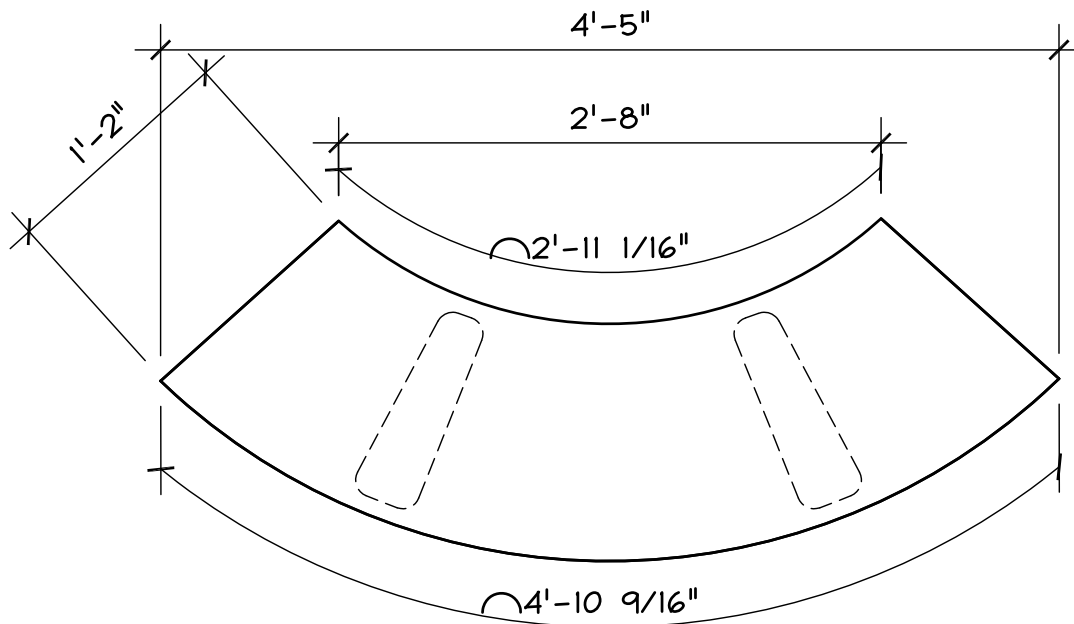
STANDARD FINISH

SMOOTH TOPS
 EXPOSED AGGREGATE PEDESTAL & LEGS
 COLORED CONCRETE: COLOR SEAL TOPS
 CLEAR SEALER

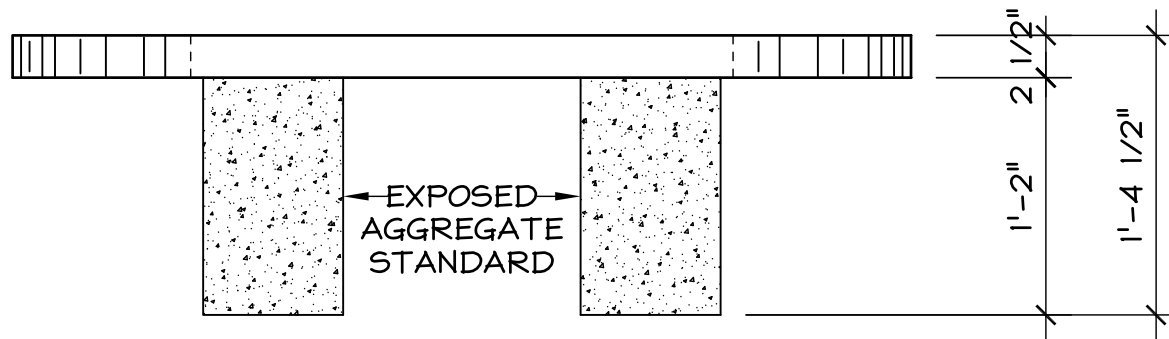
CIMARRON
 TABLE PEDESTAL

TS-0036

ARCHITECTURAL PRECAST CONCRETE
MATERIALS, INC.



PLAN



ELEVATION

QUANTITY: 3 PER SET
WEIGHT: 235#

CONCRETE SPECIFICATIONS

4000 28-DAY COMPRESSIVE STRENGTH
4-7% ENTRAINED AIR
MILD STEEL REINFORCING AS REQUIRED
POLY PROPYLENE FIBER SECONDAR
REINFORCING

FORMS
SMOOTH SURFACE FIBERGLASS

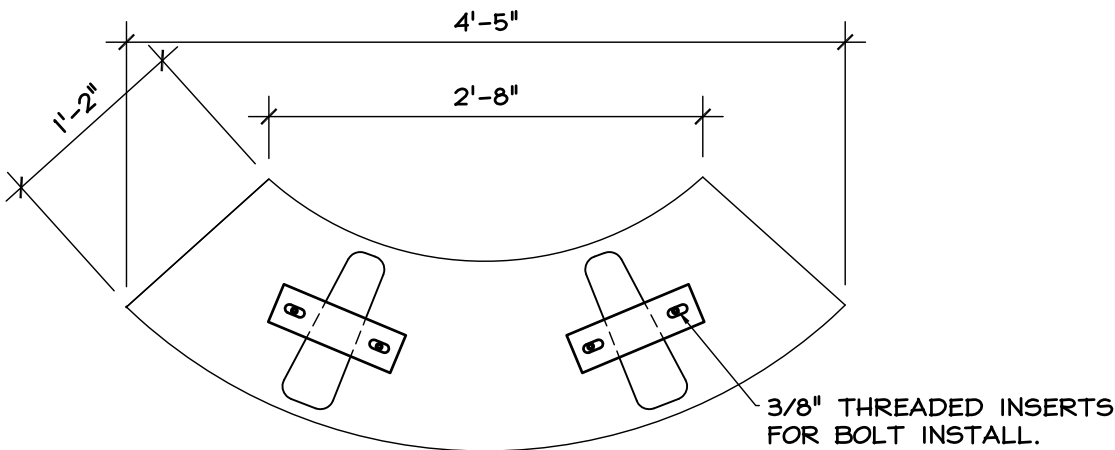
COLORS
GREY, BUFF, OR INTEGRAL COLOR

STANDARD FINISH
SMOOTH TOP
EXPOSED AGGREGATE PEDESTAL
COLORED CONCRETE: COLOR SEAL TOP
CLEAR SEALER

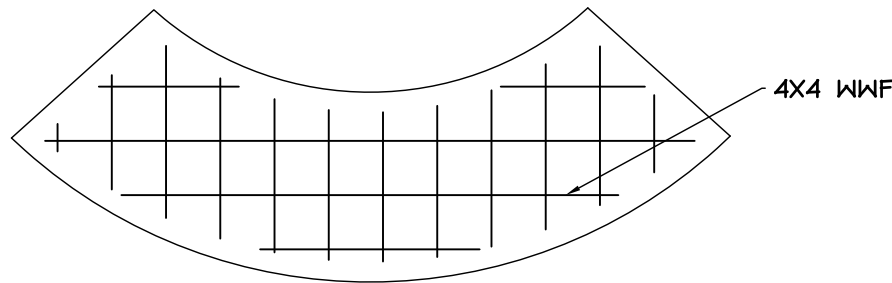
CIMARRON
BENCH

TS-0036

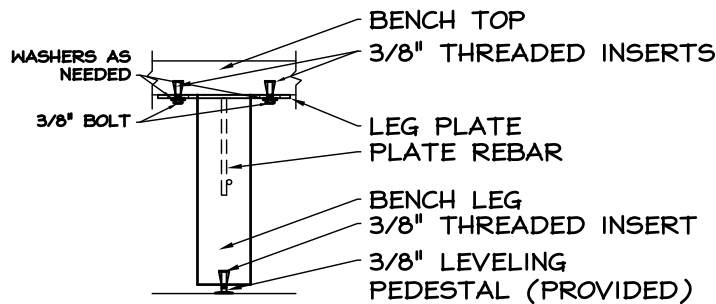
ARCHITECTURAL PRECAST CONCRETE
MATERIALS, INC.



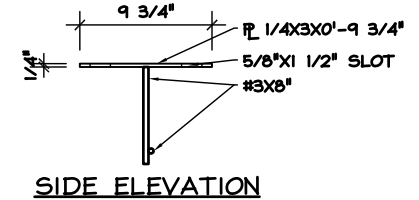
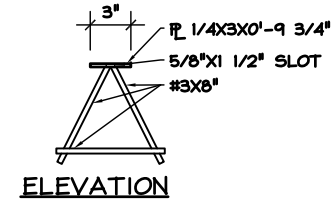
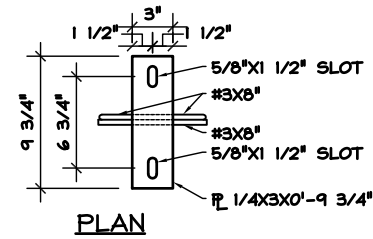
BOTTOM PLAN



REINFORCING



LEG TO BENCH/LEVELING



LEG PLATE DETAIL

WEIGHT: 235#

CONCRETE SPECIFICATIONS

4000 f'c 28-DAY COMPRESSIVE STRENGTH

4-7% ENTRAINED AIR MILD STEEL REINFORCING AS REQUIRED

POLY PROPYLENE FIBER SECONDARY REINFORCING

FORMS

SMOOTH SURFACE FIBERGLASS

COLORS

GREY OR INTEGRAL COLOR (COHILLS COLOR PIGMENTS AVAILABLE)

STANDARD FINISH

SMOOTH TOP
EXPOSED AGGREGATE LEGS
COLORED CONCRETE: COLOR SEAL TOP
CLEAR SEALER

CIMARRON
BENCH

TS-0036

ARCHITECTURAL PRECAST CONCRETE
MATERIALS, INC.