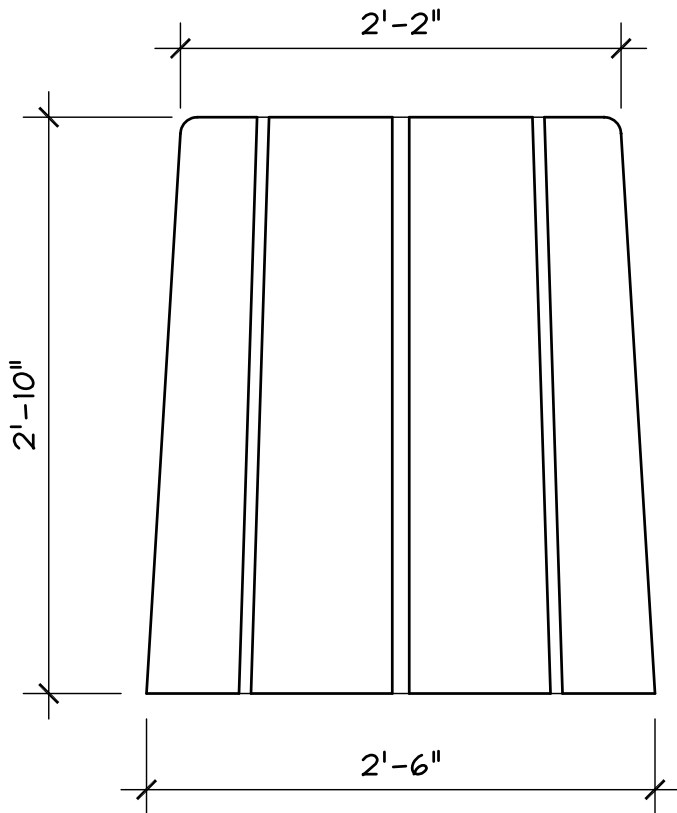
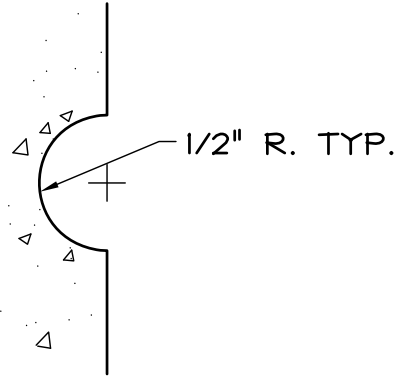
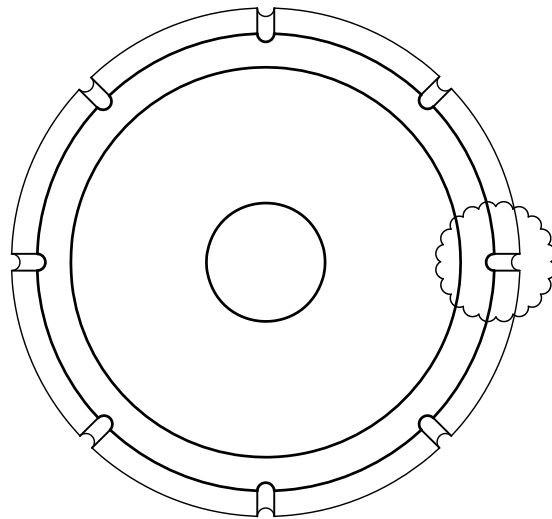


LIGHT SANDBLAST FINISH
STANDARD

30 GALLON GALVANIZED
LINER INCLUDED

HOOD: BLACK PLASTIC



WEIGHT: 750#

CONCRETE SPECIFICATIONS

4000 f'c 28-DAY COMPRESSIVE STRENGTH
4-7% ENTRAINED AIR
POLYPROPYLENE FIBER REINFORCING

FORMS

SMOOTH SURFACE FIBERGLASS

COLORS

GREY OR INTEGRAL COLOR (COHILLS COLOR
PIGMENTS AVAILABLE)

STANDARD FINISH

LIGHT SANDBLAST
CLEAR SEALER

CLASSIC
LITTER RECEPTACLE

TR-3226

ARCHITECTURAL PRECAST CONCRETE
MATERIALS, INC.