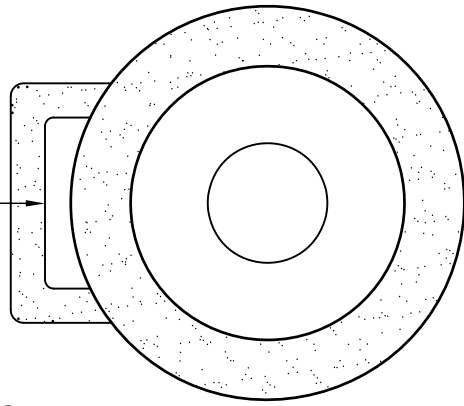
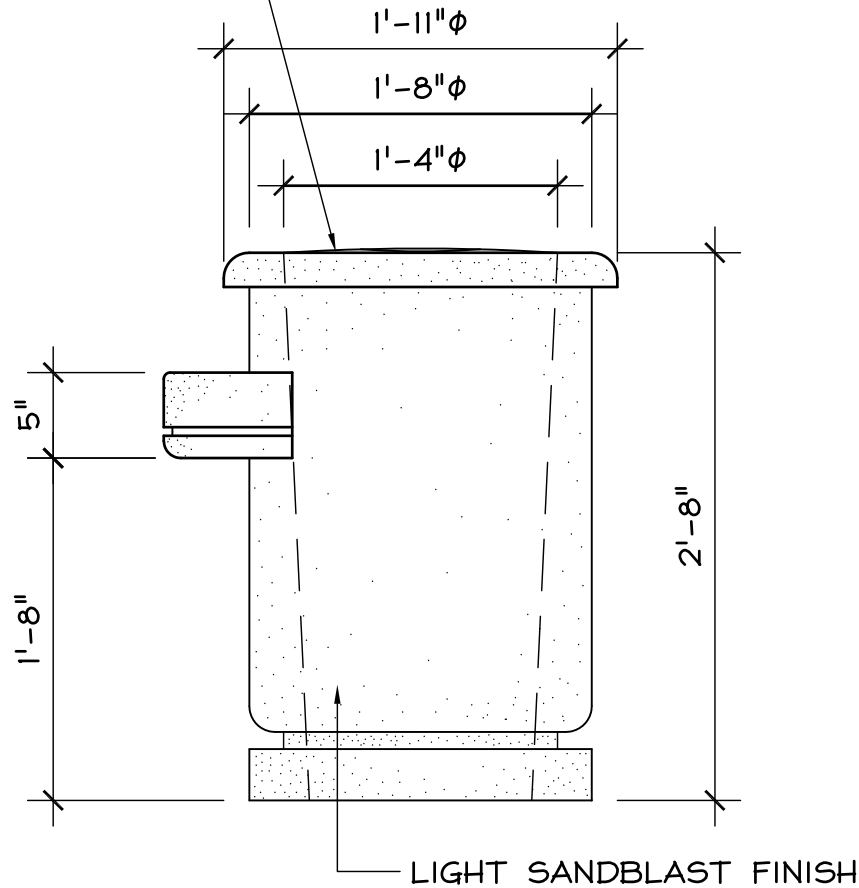


CIGARETTE URN
SIDE-CAR
W/ SAND FILL



BLACK PLASTIC
HOOD

TOP VIEW



ELEVATION

WEIGHT: 425#

CONCRETE SPECIFICATIONS

4000 f'c 28-DAY COMPRESSIVE STRENGTH
4-7% ENTRAINED AIR
POLYPROPYLENE FIBER REINFORCING

FORMS

SMOOTH SURFACE FIBERGLASS

COLORS

GREY OR INTEGRAL COLOR (COHILLS COLOR
PIGMENTS AVAILABLE)

STANDARD FINISH

LIGHT SANDBLAST
CLEAR SEALER

SANTA FE
LITTER RECEPTACLE

TR-3225/COMBO

ARCHITECTURAL PRECAST CONCRETE
MATERIALS, INC.