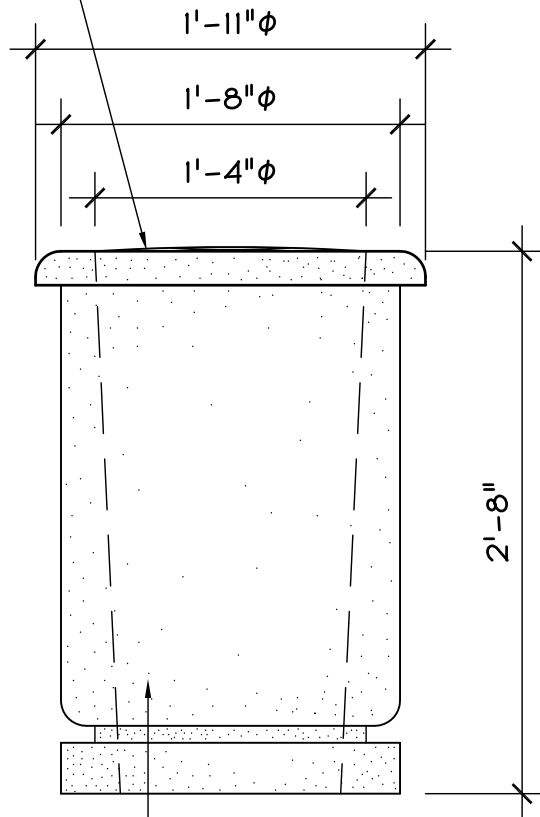


TOP VIEW

BLACK PLASTIC HOOD



LIGHT SANDBLAST FINISH

PLASTIC LINER INCLUDED

WEIGHT: 425#

CONCRETE SPECIFICATIONS

4000 f'c 28-DAY COMPRESSIVE STRENGTH
4-7% ENTRAINED AIR
POLYPROPYLENE FIBER REINFORCING

FORMS

SMOOTH SURFACE FIBERGLASS

COLORS

GREY OR INTEGRAL COLOR (COHILLS COLOR
PIGMENTS AVAILABLE)

STANDARD FINISH

LIGHT SANDBLAST
CLEAR SEALER

SANTA FE
LITTER RECEPTACLE

TR-3225

ARCHITECTURAL PRECAST CONCRETE
MATERIALS, INC.