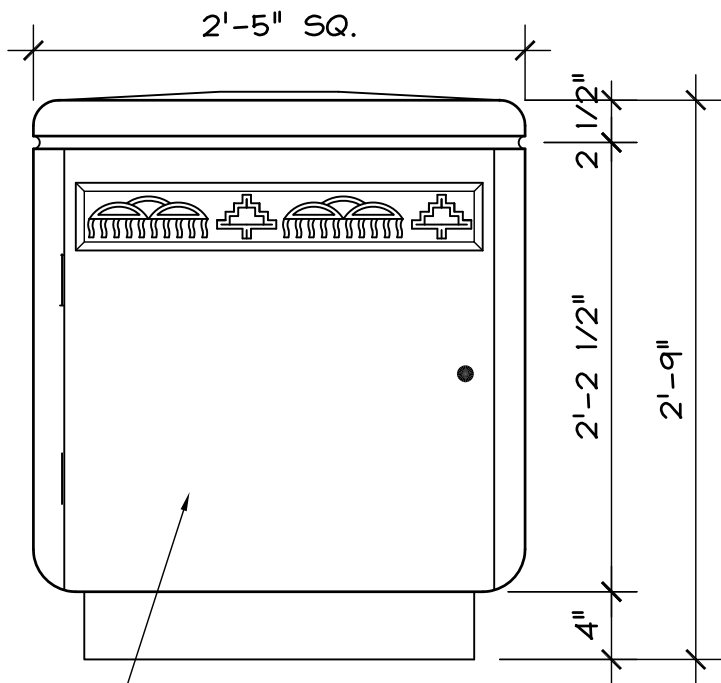
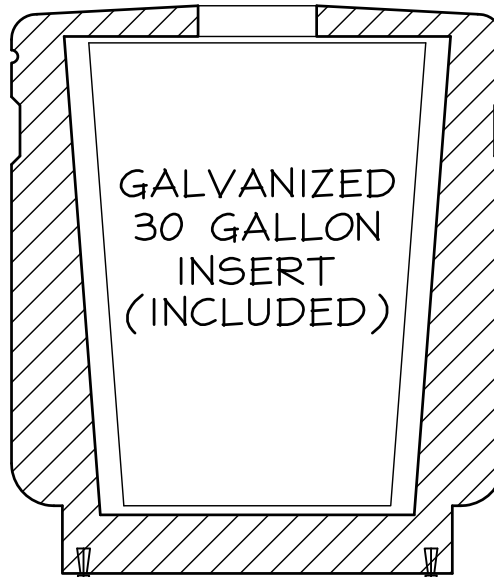


PLAN



FIBERGLASS DOOR  
ELEVATION



LEVELING BOLTS  
SECTION

WEIGHT: 1310#

**CONCRETE SPECIFICATIONS**  
 4000 f'c 28-DAY COMPRESSIVE STRENGTH  
 4-7% ENTRAINED AIR  
 POLYPROPYLENE FIBER REINFORCING  
**FORMS**  
 SMOOTH SURFACE FIBERGLASS  
**COLORS**  
 GREY OR INTEGRAL COLOR (COHILLS COLOR PIGMENTS AVAILABLE)  
**STANDARD FINISH**  
 SMOOTH  
 CLEAR SEALER

RINCONADA III  
 LITTER RECEPTACLE

TR-3329-III

ARCHITECTURAL PRECAST CONCRETE  
**MATERIALS, INC.**