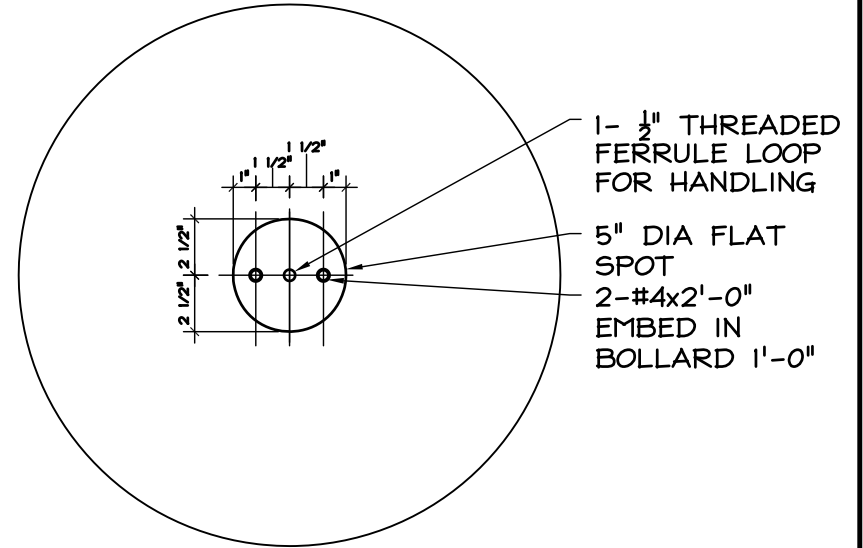


CROSS SECTION



BOTTOM DETAIL

CONCRETE SPECIFICATIONS
 4000 f'c COMPRESSIVE STRENGTH
 4-7% ENTRAINED AIR
 REBAR REINFORING AS REQUIRED
 POLYPROPYLENE FIBER

FORMS
 SMOOTH FIBERGLASS

COLORS
 PLEASE SPECIFY

FINISHES
 PLEASE SPECIFY

QUANTITY:

WO# DATE

SPHERE BOLLARD

CONTRACTOR

ARCHITECTURAL PRECAST CONCRETE
MATERIALS, INC.

NOTE TO CONTRACTOR: ONLY WHEN ITEMS MARKED FOR VERIFICATION HAVE BEEN VERIFIED DOES MATERIALS, INC. HAVE APPROVED SHOP DRAWINGS. SO THERE ARE NO DELAYS CAUSED BY A LACK OF INFORMATION PLEASE VERIFY ALL ITEMS MARKED FOR VERIFICATION. THESE ITEMS ARE CLOUDED AND HAVE A "VERIFY" ARROW POINTING AT THEM. SHOULD YOU HAVE QUESTIONS PLEASE CALL MATERIALS, INC.

SUBMITTED FOR APPROVAL
 DATE

NOTE TO CONTRACTOR: IT IS YOUR RESPONSIBILITY TO REVIEW AND APPROVE THE FRAMING PLANS, ELEVATIONS, DETAILS, SECTIONS AND NOTES CONTAINED WITH THIS SET OF SHOP DRAWINGS. CHANGES TO THE DRAWINGS AND/OR CASTING REPLACEMENT UNITS ONCE THE DRAWINGS HAVE BEEN APPROVED CONSTITUTE A REVISION TO THE CONTRACT AND WILL NECESSITATE A CHANGE ORDER ADD TO THE CONTRACT.

ACCEPTED BY: _____

DATE: _____