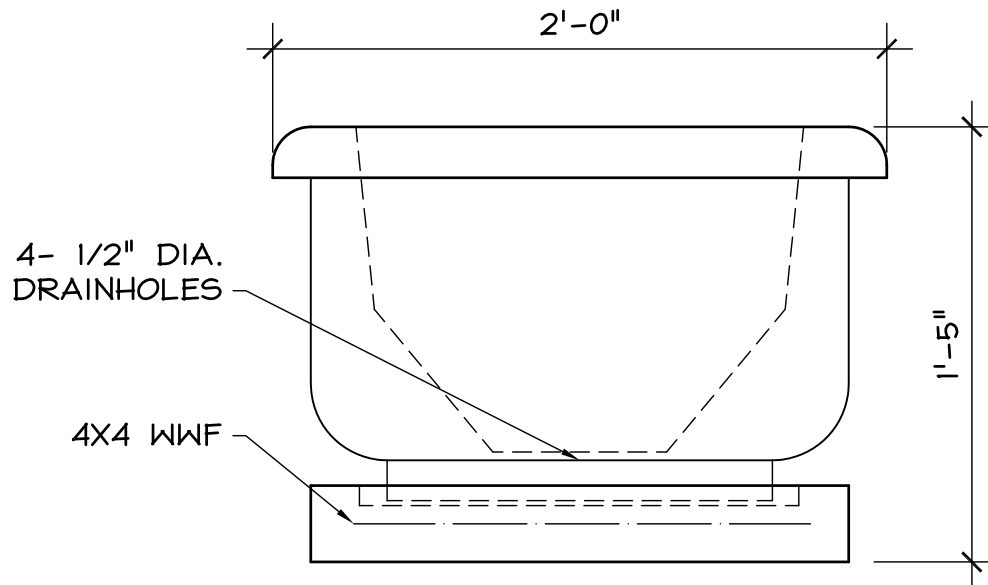


TOP



ELEVATION

.06 CY CONCRETE
 WEIGHT: 233#
 APPROX. CAVITY VOLUME
 7/8 CU. FT.

CONCRETE SPECIFICATIONS
 4000 f'c 28-DAY COMPRESSIVE STRENGTH
 4-7% ENTRAINED AIR
 MILD STEEL REINFORCING AS REQUIRED
 POLYPROPYLENE FIBER SECONDARY
 REINFORCING
FORMS
 SMOOTH SURFACE FIBERGLASS
COLORS
 GREY OR INTEGRAL COLOR (COHILLS COLOR
 PIGMENTS AVAILABLE)
STANDARD FINISH
 LIGHT SANDBLAST
 CLEAR SEALER

SANTA FE PLANTER

PL-1724

ARCHITECTURAL PRECAST CONCRETE
MATERIALS, INC.