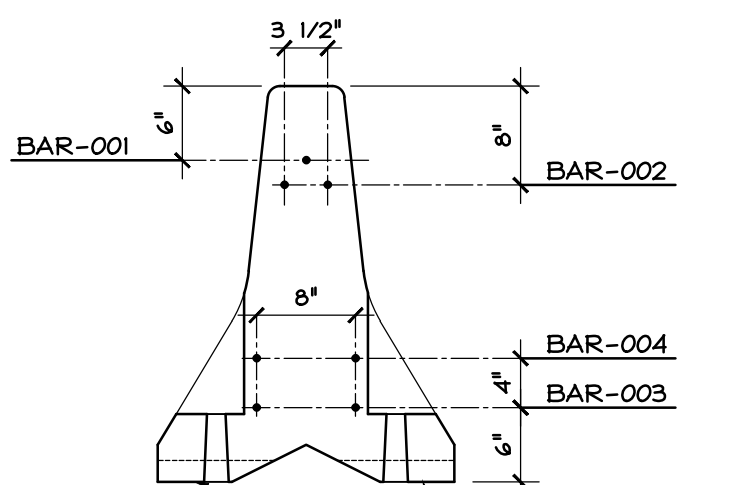
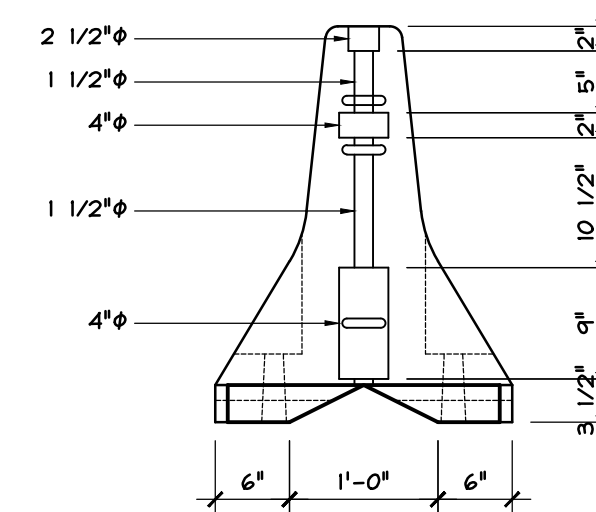
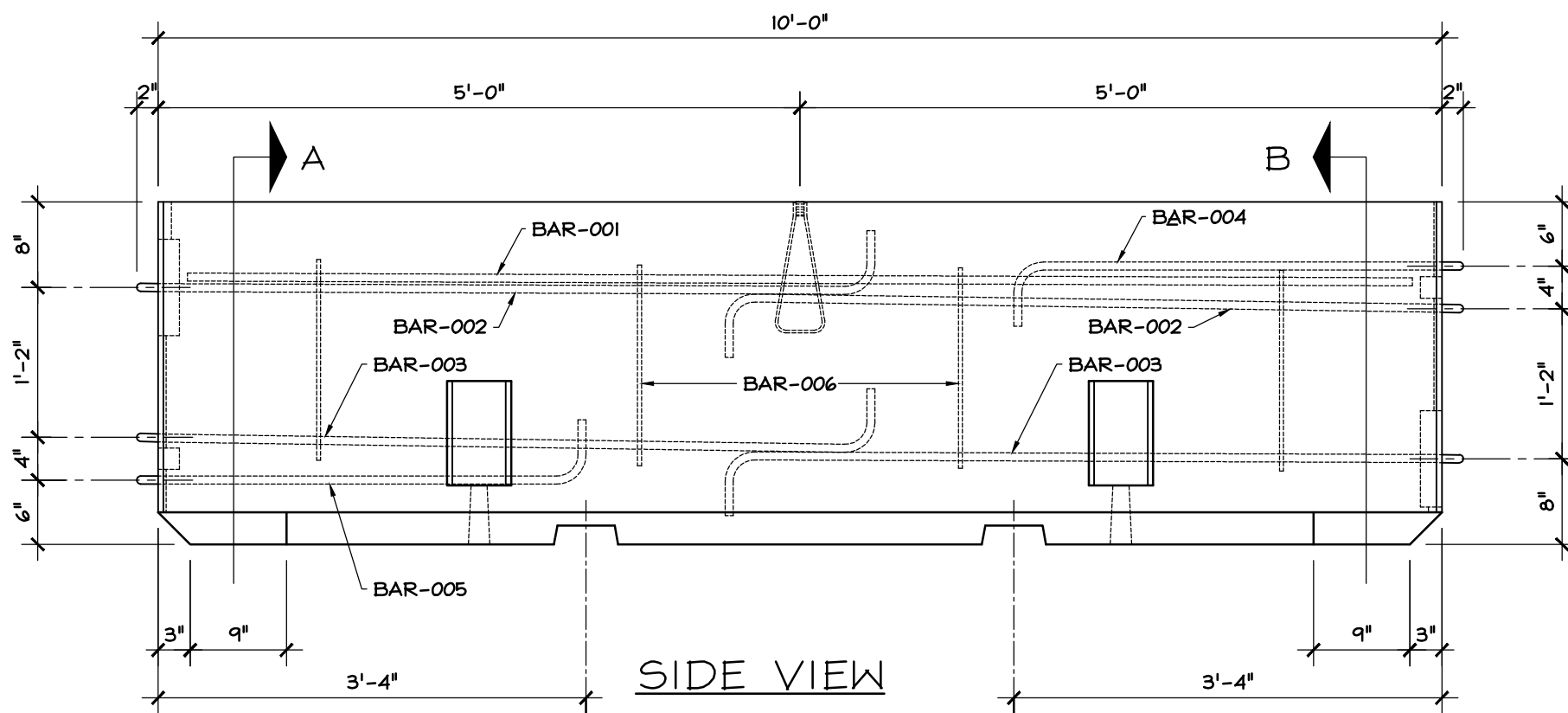
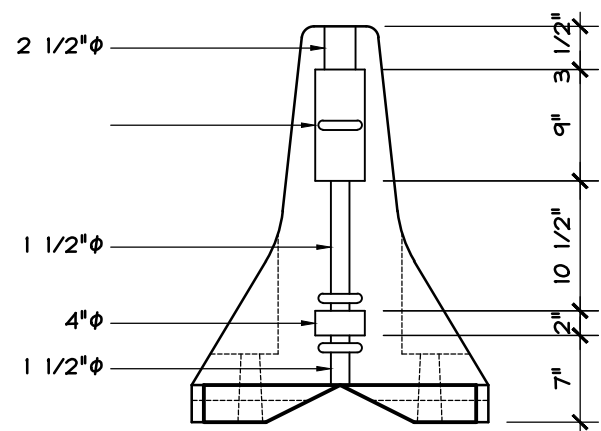
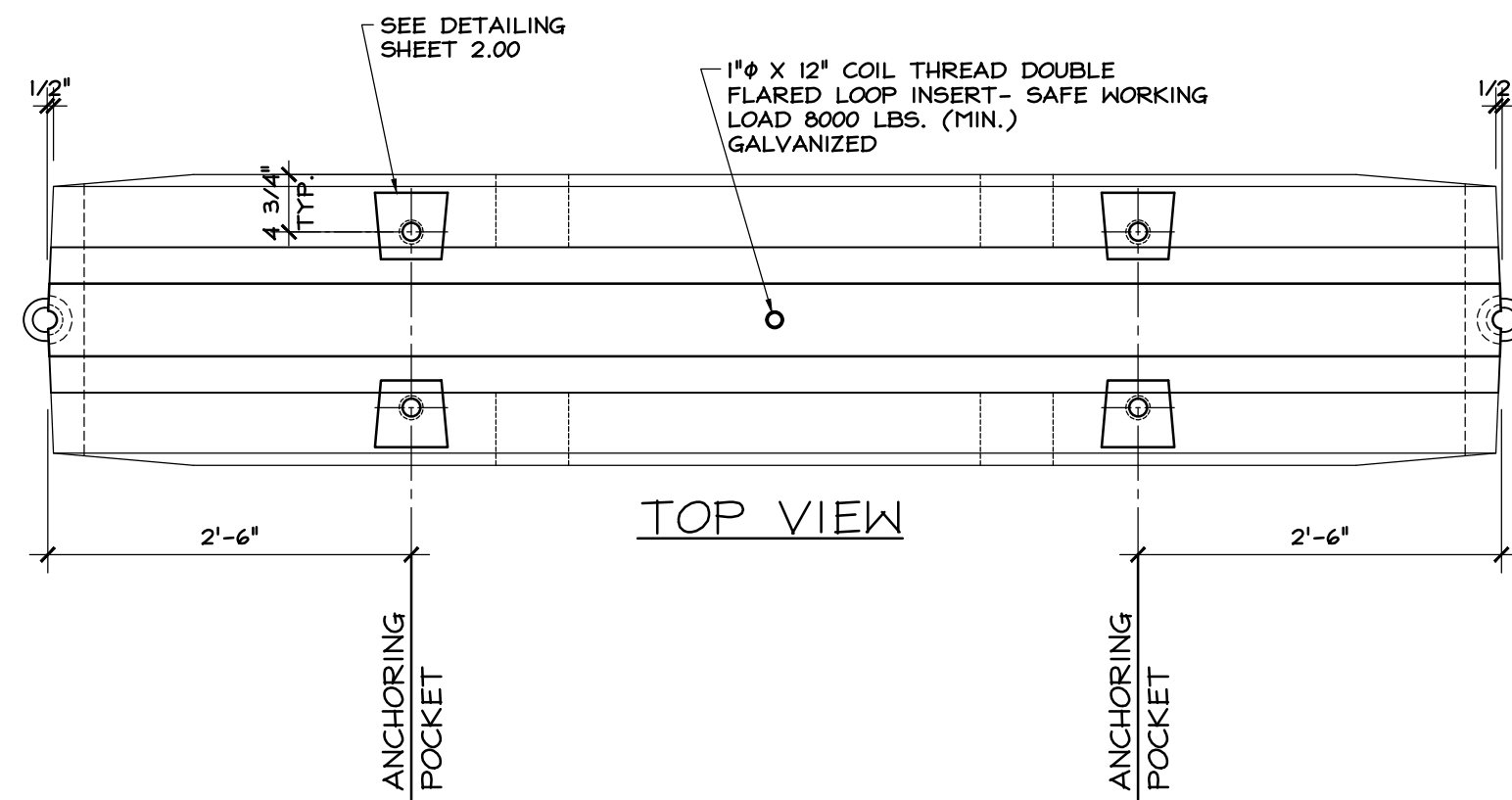


NOTES:

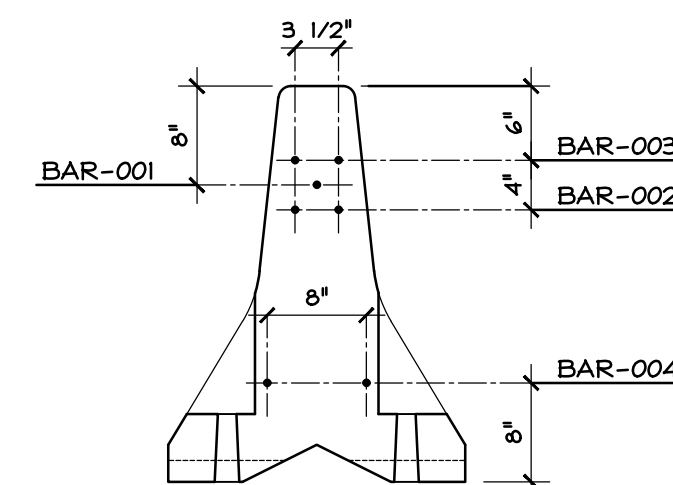
1. ALL WORK SHALL BE DONE IN ACCORDANCE WITH NEW MEXICO DEPARTMENT OF TRANSPORTATION SPECIFICATIONS FOR HIGHWAY & BRIDGE CONSTRUCTION, CURRENT EDITION.
2. THE DESIGN IN THIS SET OF PRODUCTION DRAWINGS IS BASED ON INFORMATION SUPPLIED BY THE NMDOT AND DATED MAY 14, 2003.
3. BASED ON ITEM 2 ABOVE CONFORMANCE TO NCHRP REPORT 350 FOR CRASHWORTHINESS IS NOT THE RESPONSIBILITY OF MATERIALS, INC.
4. CONCRETE SHALL BE CLASS "A" CONCRETE IN ACCORDANCE WITH SECTION 510 OF THE NMDOT STANDARD SPECIFICATIONS FOR HIGHWAY & BRIDGE CONSTRUCTION, CURRENT EDITION.



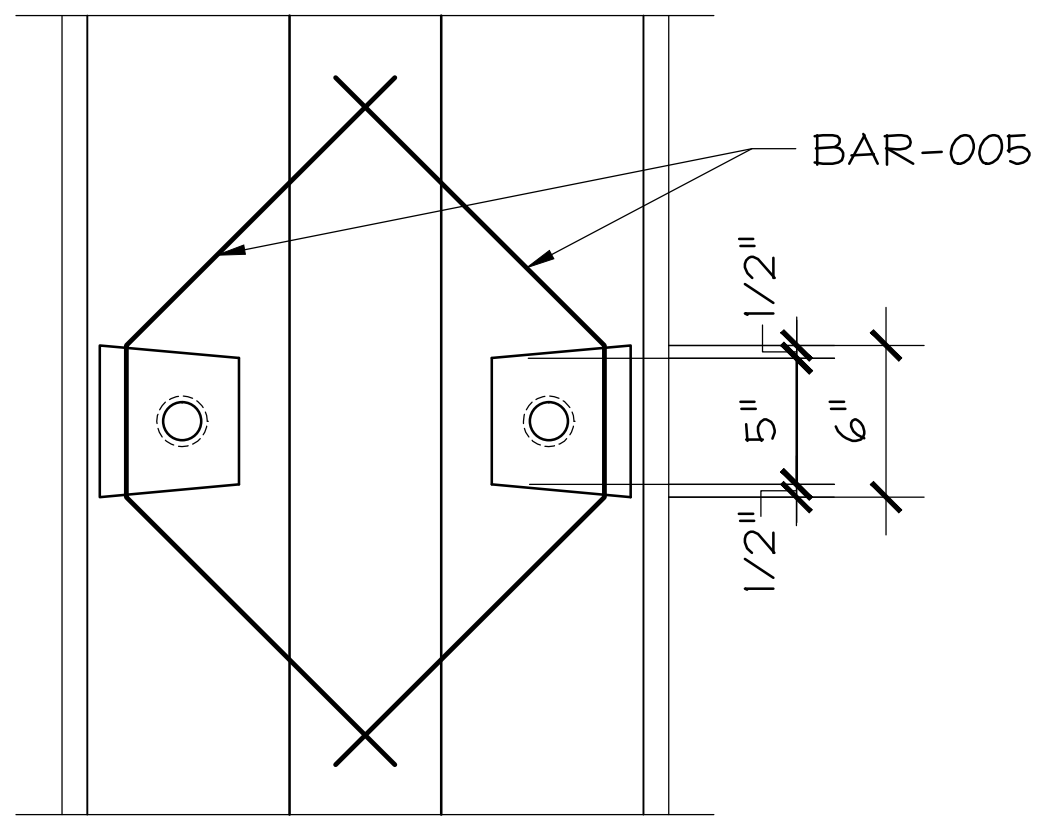
SMOOTH FLOAT FINISH
NO HUMPS OR RISES

1 3/4" X 6" LIFTING
AND DRAINAGE SLOT

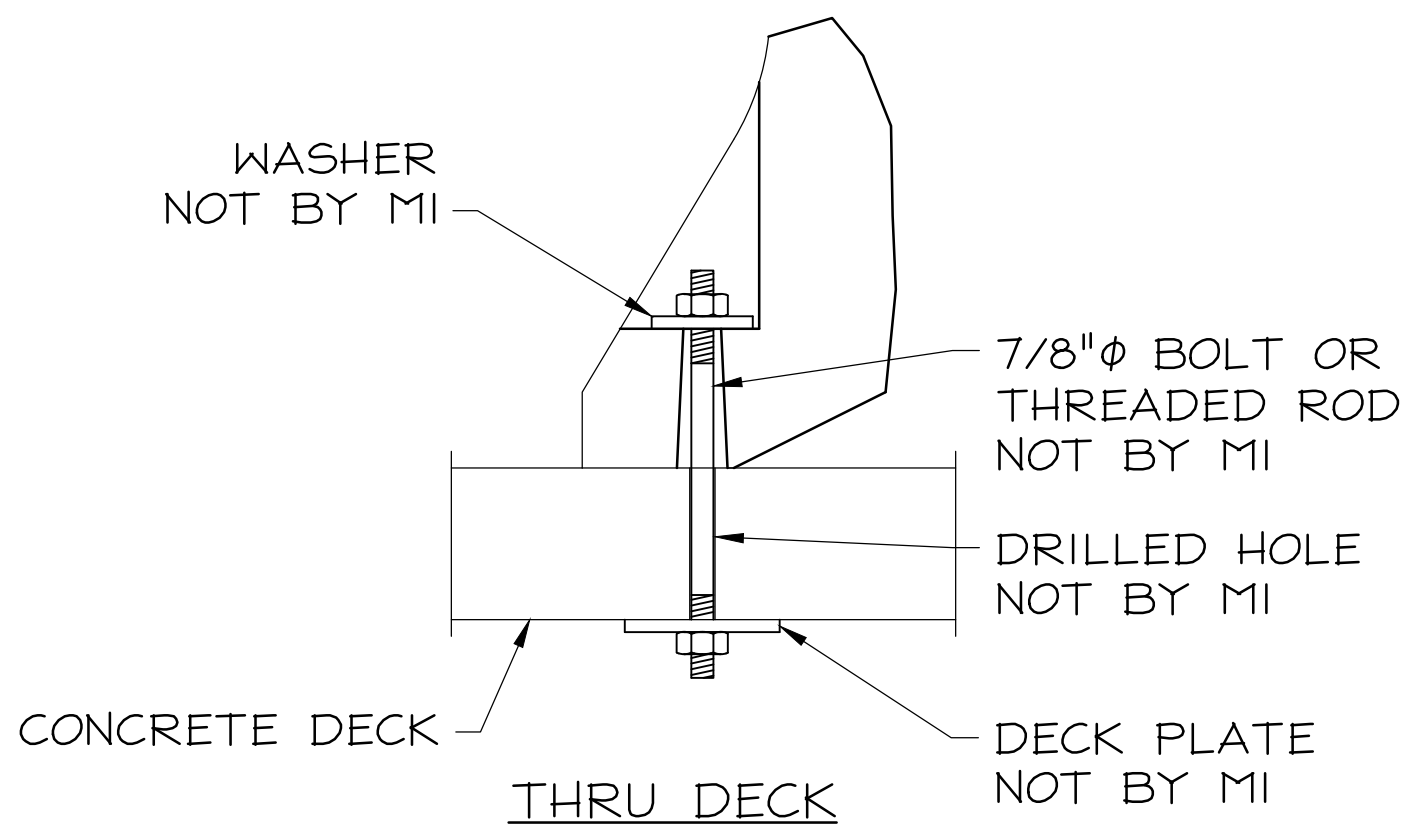
1 3/4" X 6" LIFTING
AND DRAINAGE SLOT



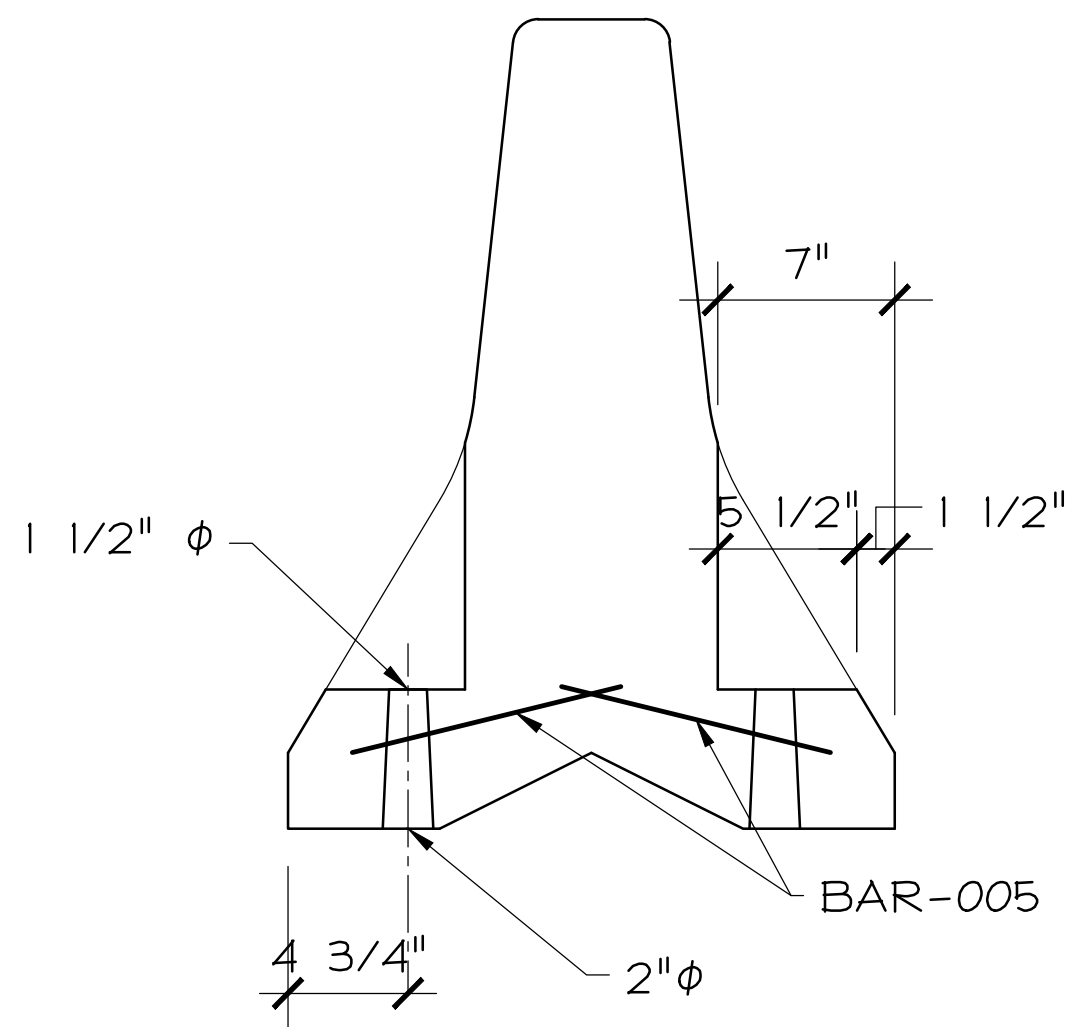
NO. DATE REVISION		ARCHITECT: NMDOT	
MATERIALS, INC. P.O. BOX 1507 BERNALILLO, NM 87004 (505)867-9095 FAX: (505)867-5923		CONTRACTOR:	
NMDOT APPROVED TEMPORARY PRECAST WALL BARRIER			
GENERAL LAYOUT			
QUOTE NO:	WORK ORDER NO.	SHEET	
DRAWN BY: JDE	CHECKED BY:	1.00	
PLOT DATE: 11/16/12			



TOP VIEW

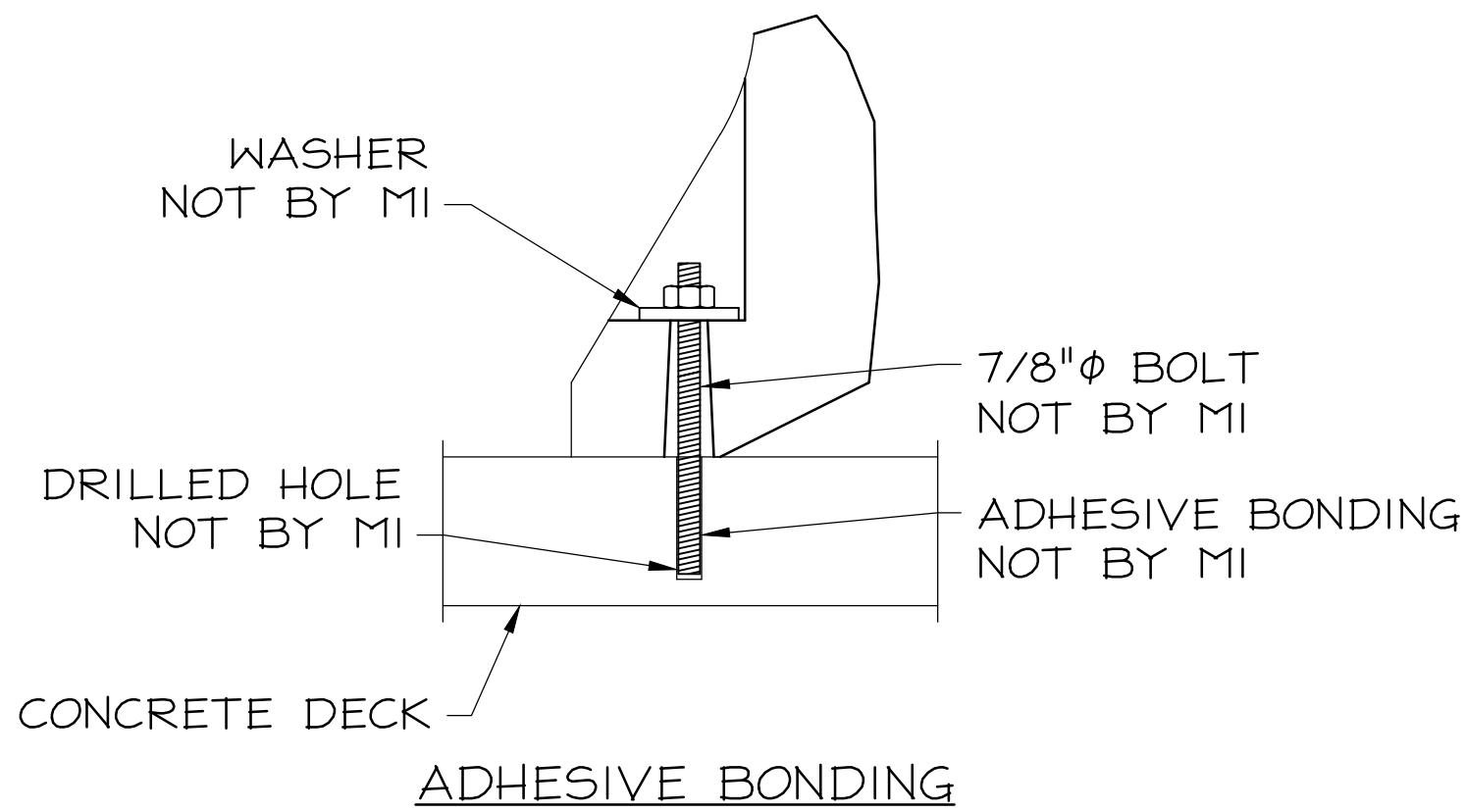


THRU DECK

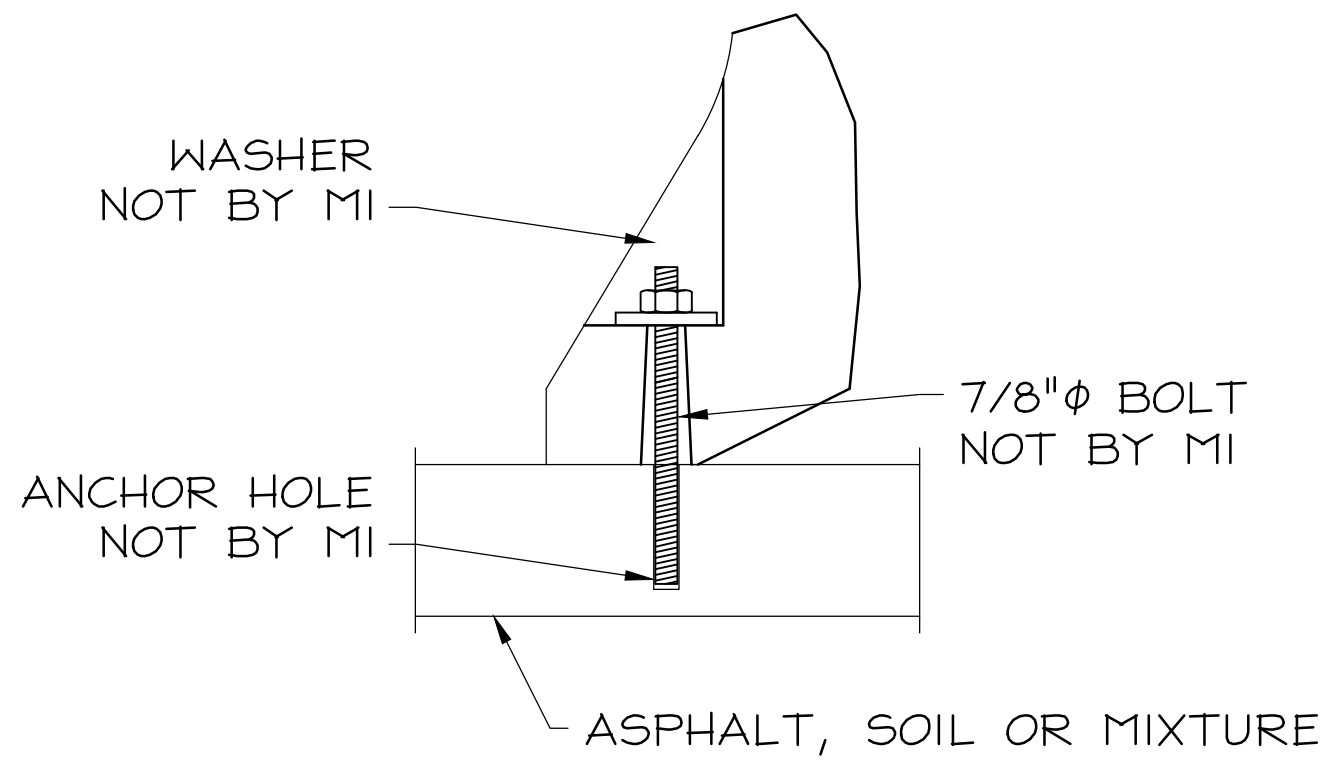


SECTION

ANCHORING POCKET DETAILING



ADHESIVE BONDING

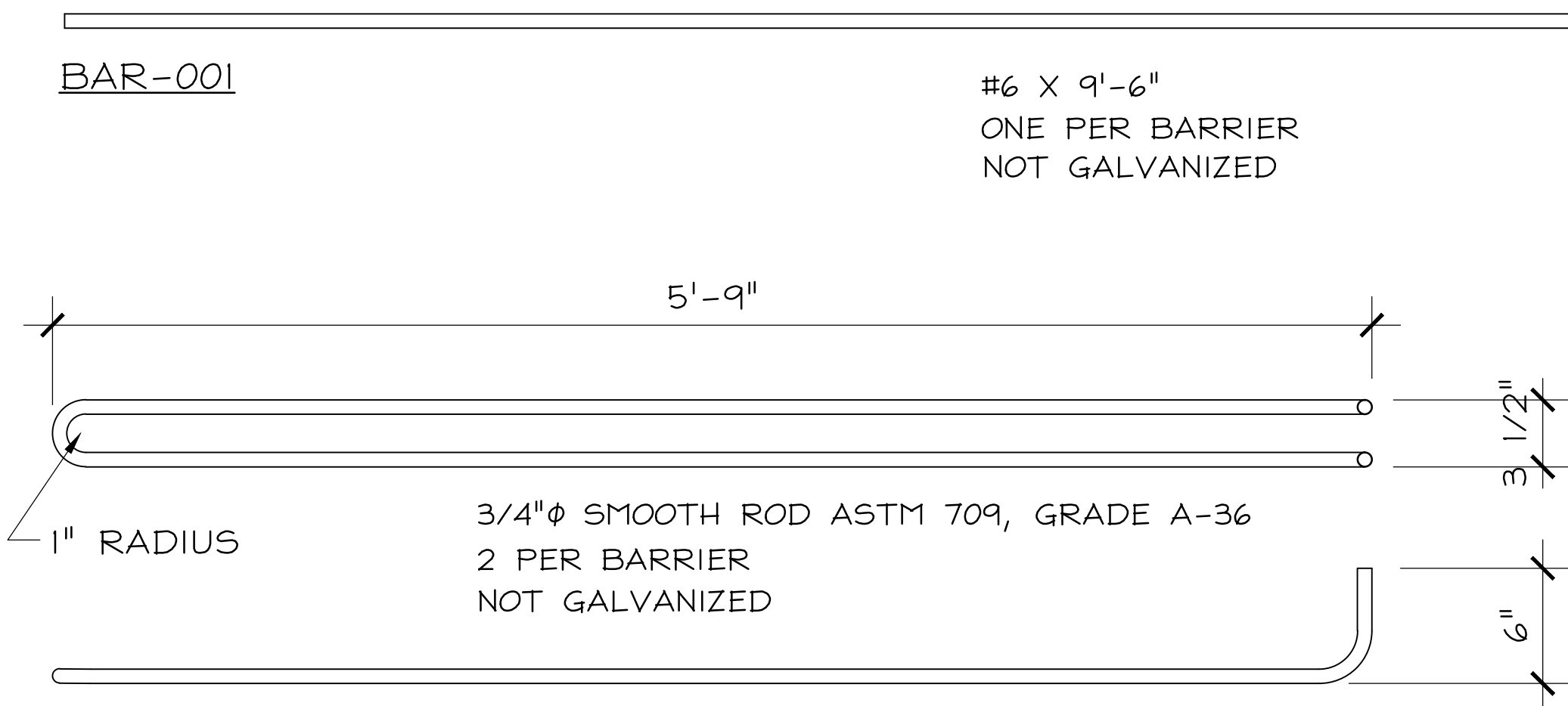


PINNING TO ASPHALT AND SOIL

NO. DATE REVISION		ARCHITECT: NMDOT
MATERIALS, INC. P.O. BOX 1507 BERNALILLO, NM 87004 (505)867-9035 FAX: (505)867-5923		CONTRACTOR:
NMDOT APPROVED TEMPORARY PRECAST WALL BARRIER		
ANCHORING POCKETS		
QUOTE NO:	WORK ORDER NO.	SHEET
DRAWN BY: JDE	CHECKED BY:	2.00
PLOT DATE: 11/16/12		

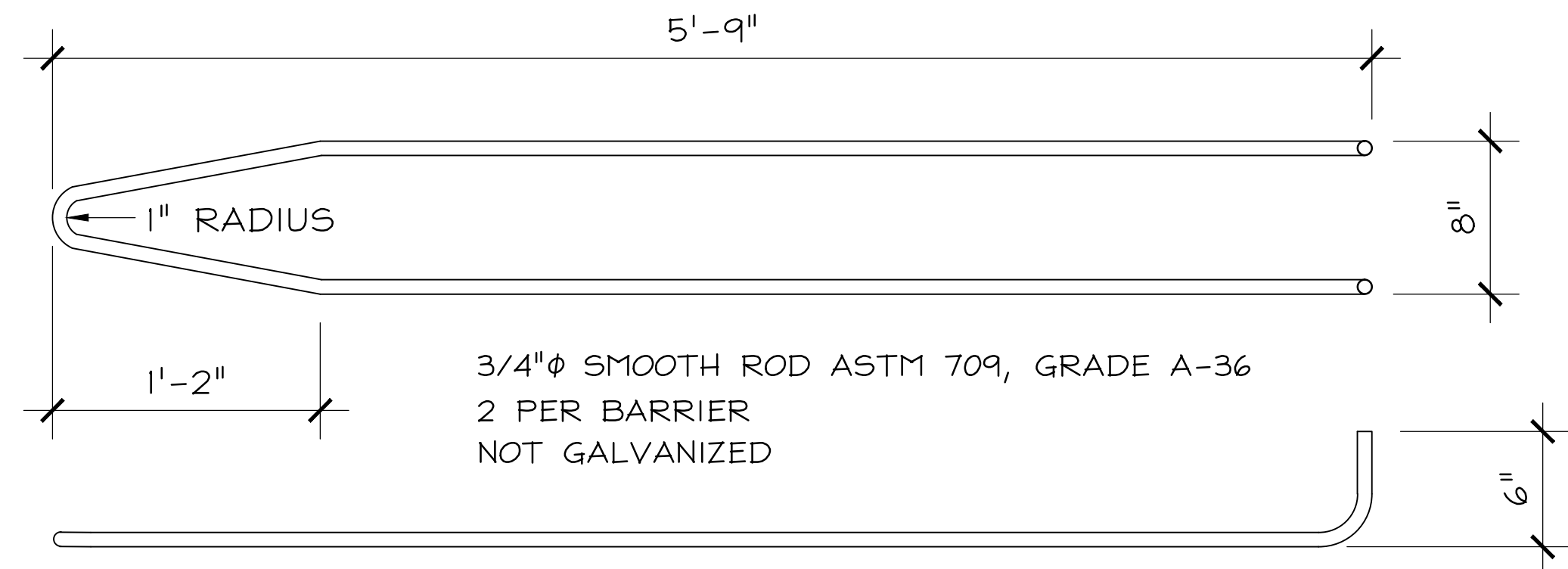
BAR-001

#6 X 9'-6"
ONE PER BARRIER
NOT GALVANIZED



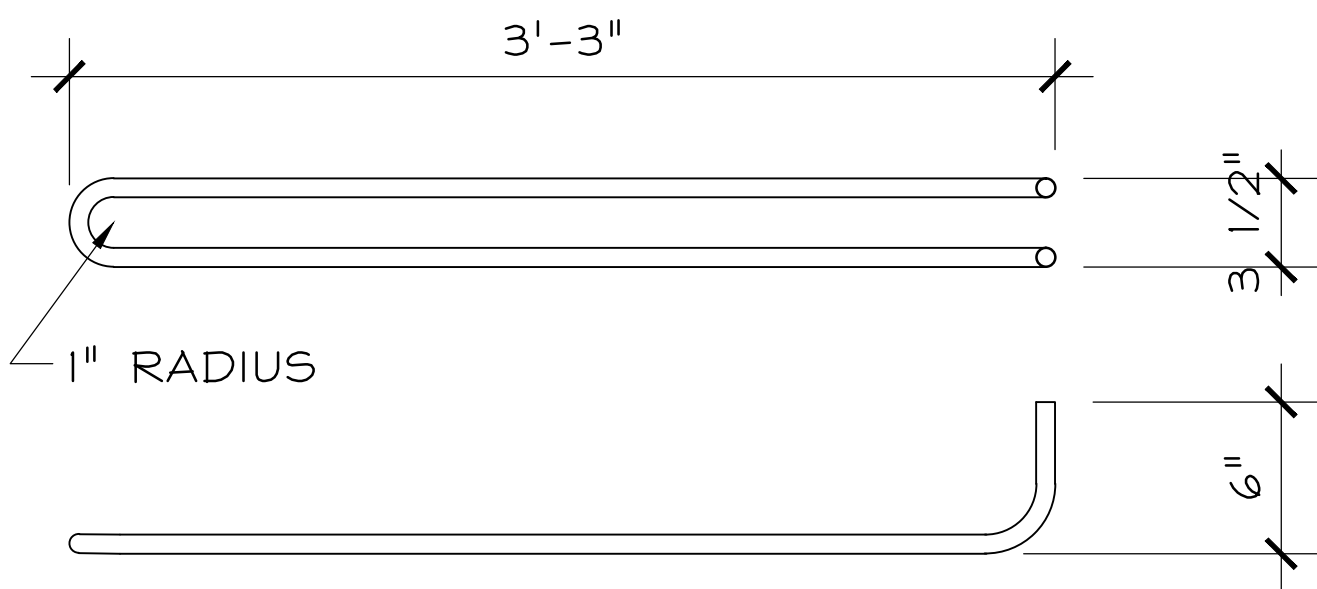
3/4"φ SMOOTH ROD ASTM 709, GRADE A-36
2 PER BARRIER
NOT GALVANIZED

BAR-002



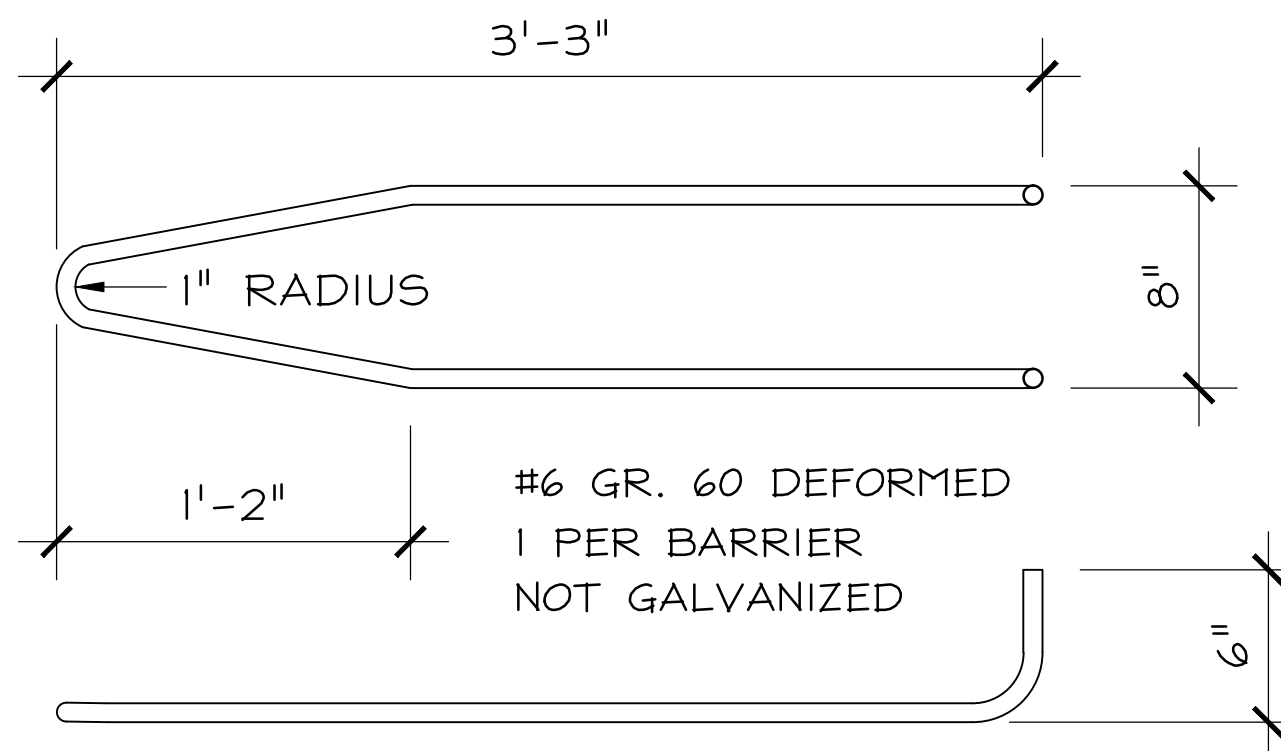
3/4"φ SMOOTH ROD ASTM 709, GRADE A-36
2 PER BARRIER
NOT GALVANIZED

BAR-003



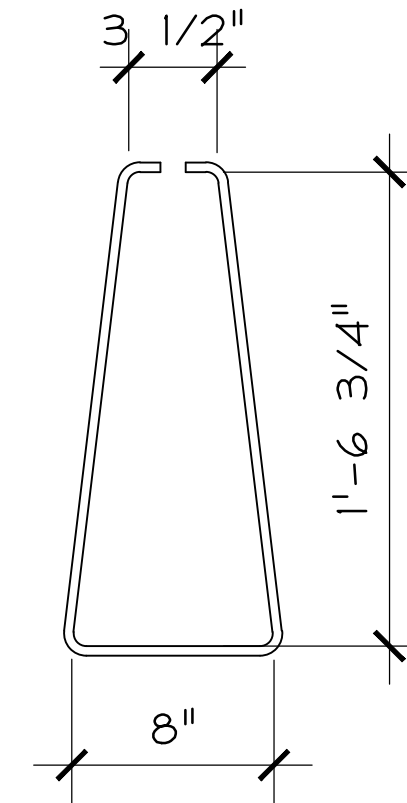
BAR-004

#6 GR. 60 DEFORMED
1 PER BARRIER
NOT GALVANIZED



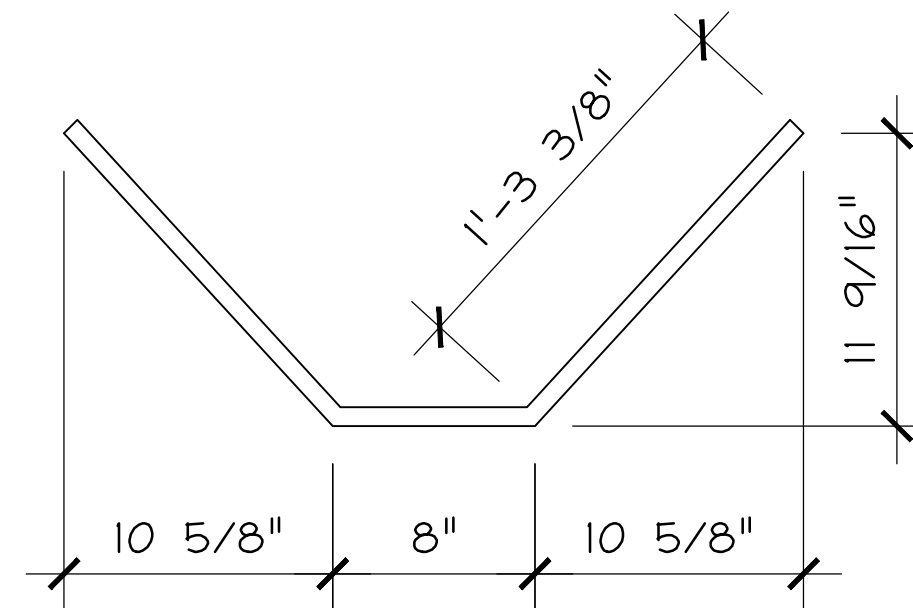
BAR-005

#6 GR. 60 DEFORMED
1 PER BARRIER
NOT GALVANIZED



BAR-006

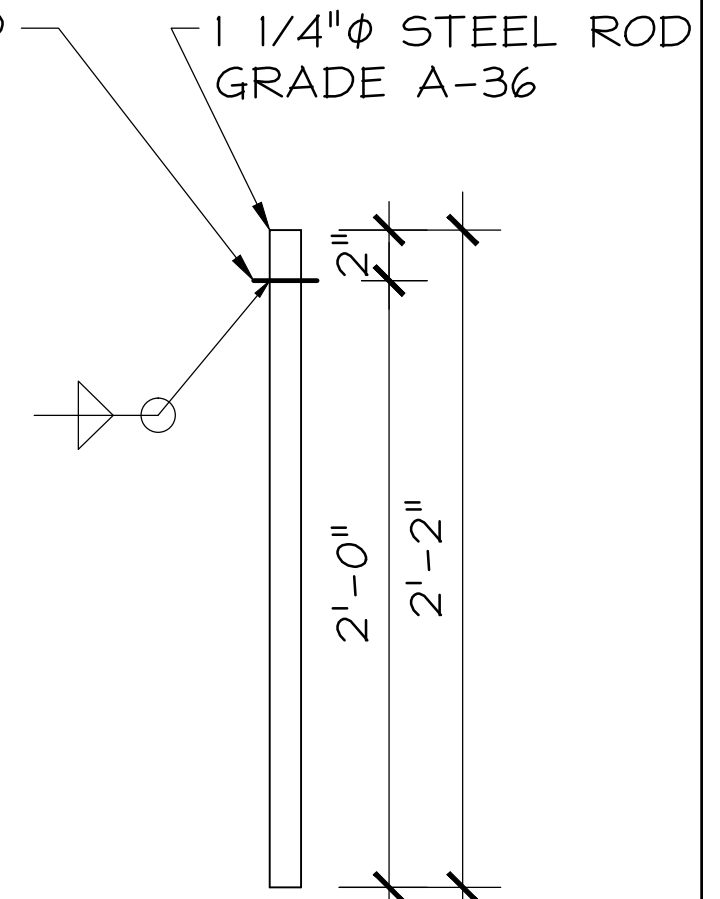
#3 REBAR
4 PER BARRIER
NOT GALVANIZED



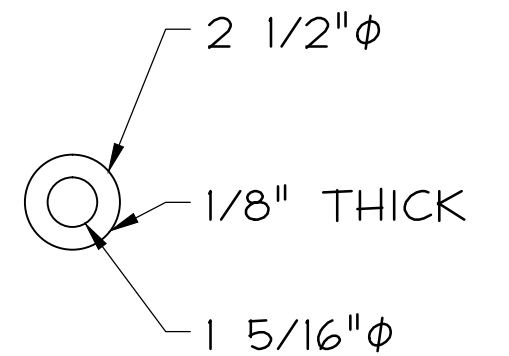
BAR-007

#6 REBAR
4 PER BARRIER
NOT GALVANIZED

2 1/2"φ X 1/8"
STEEL WASHER
WELD TO STEEL ROD



BARRIER PIN-007
ONE PER BARRIER
GALVANIZE THE ASSEMBLY



WASHER DETAIL
ONE PER BARRIER PIN-007

NO. DATE REVISION		ARCHITECT: NMDOT	
MATERIALS, INC. P.O. BOX 1507 BERNALILLO, NM 87004 (505)867-9035 FAX: (505)867-4419		CONTRACTOR:	
NMDOT APPROVED TEMPORARY PRECAST WALL BARRIER			
REINFORCING AND BARRIER PIN DETAILING			
QUOTE NO:	WORK ORDER NO.	SHEET	
DRAWN BY: JDE	CHECKED BY:	3.00	
PLOT DATE: 11/16/12			