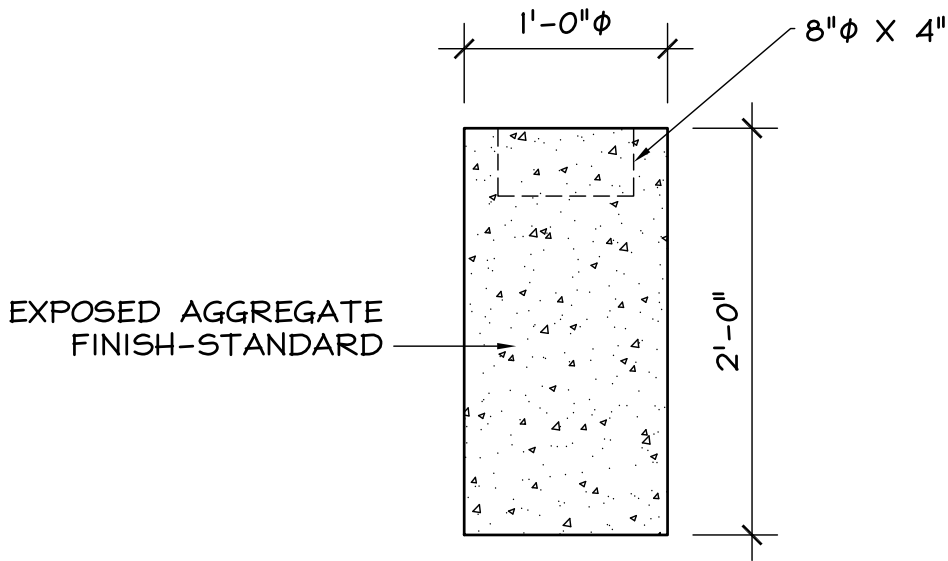


PLAN



ELEVATION

WEIGHT: 220#

CONCRETE SPECIFICATIONS

4000 f'c 28-DAY COMPRESSIVE STRENGTH
4-7% ENTRAINED AIR
POLYPROPYLENE FIBER REINFORCING

FORMS

SMOOTH SURFACE FIBERGLASS

COLORS

GREY OR INTEGRAL COLOR (COHILLS COLOR
PIGMENTS AVAILABLE)

STANDARD FINISH

EXPOSED AGGREGATE
CLEAR SEALER

DELGADO
CIGARETTE URN

CU-1224

ARCHITECTURAL PRECAST CONCRETE
MATERIALS, INC.