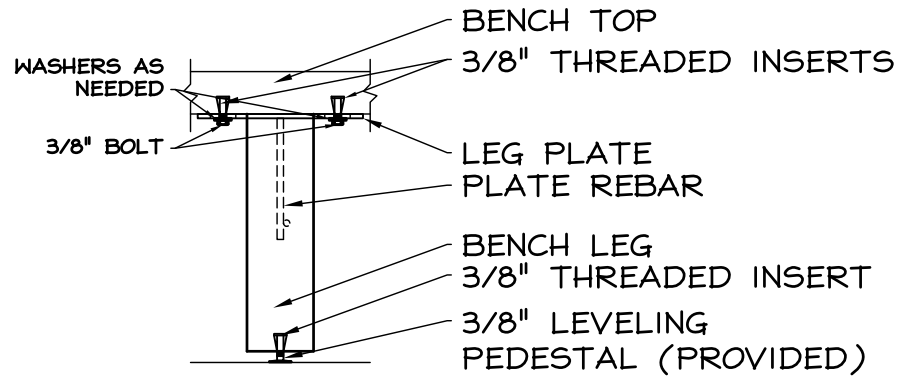
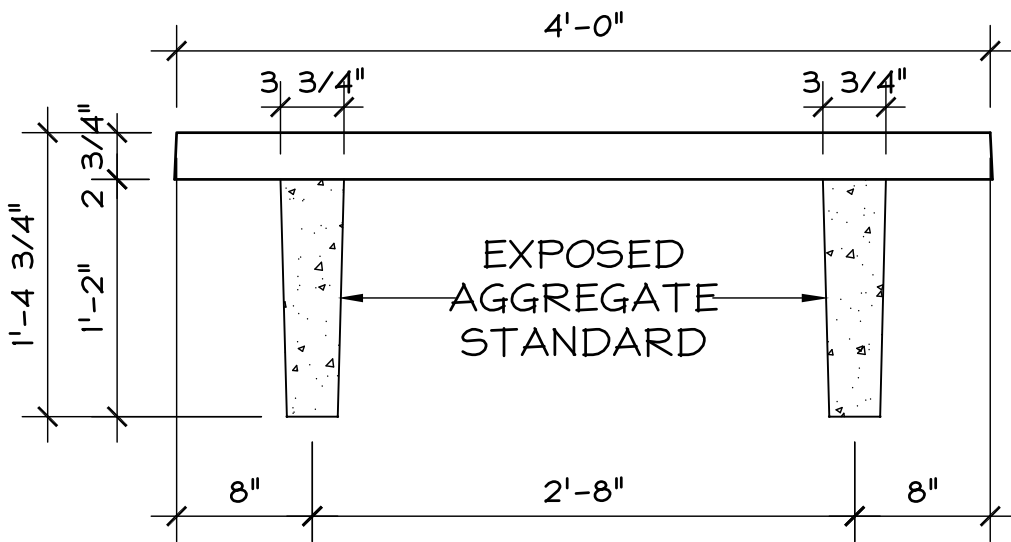


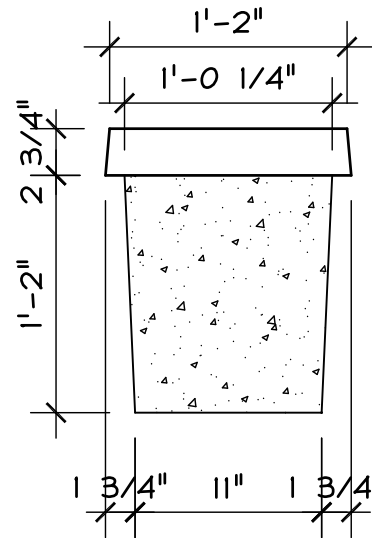
PLAN



LEG TO BENCH/LEVELING



ELEVATION



END

WEIGHT: 235#

CONCRETE SPECIFICATIONS
 4000 f'c 28-DAY COMPRESSIVE STRENGTH
 4-7% ENTRAINED AIR
 MILD STEEL REINFORCING AS REQUIRED
 POLYPROPYLENE FIBER SECONDARY REINFORCING

FORMS
 SMOOTH SURFACE FIBERGLASS

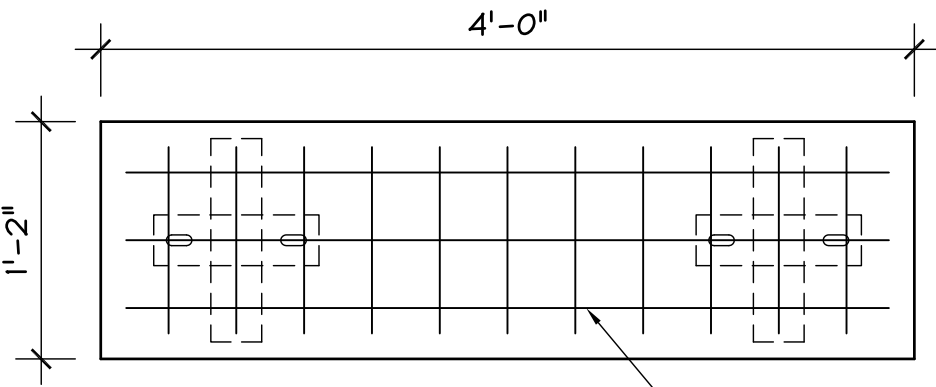
COLORS
 GREY OR INTEGRAL COLOR (COHILLS COLOR PIGMENTS AVAILABLE)

STANDARD FINISH
 SMOOTH TOP
 EXPOSED AGGREGATE PEDESTAL
 COLORED CONCRETE: COLOR SEAL TOP
 CLEAR SEALER

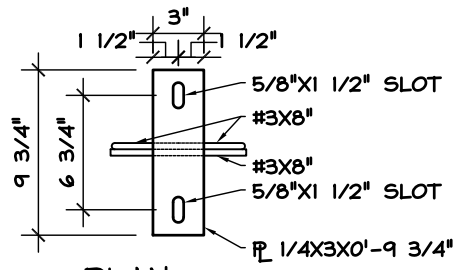
MESA BENCH

BN-3048

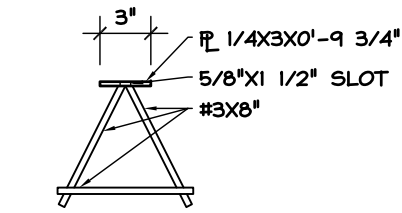
ARCHITECTURAL PRECAST CONCRETE
MATERIALS, INC.



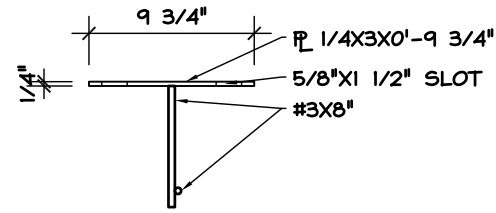
PLAN



PLAN

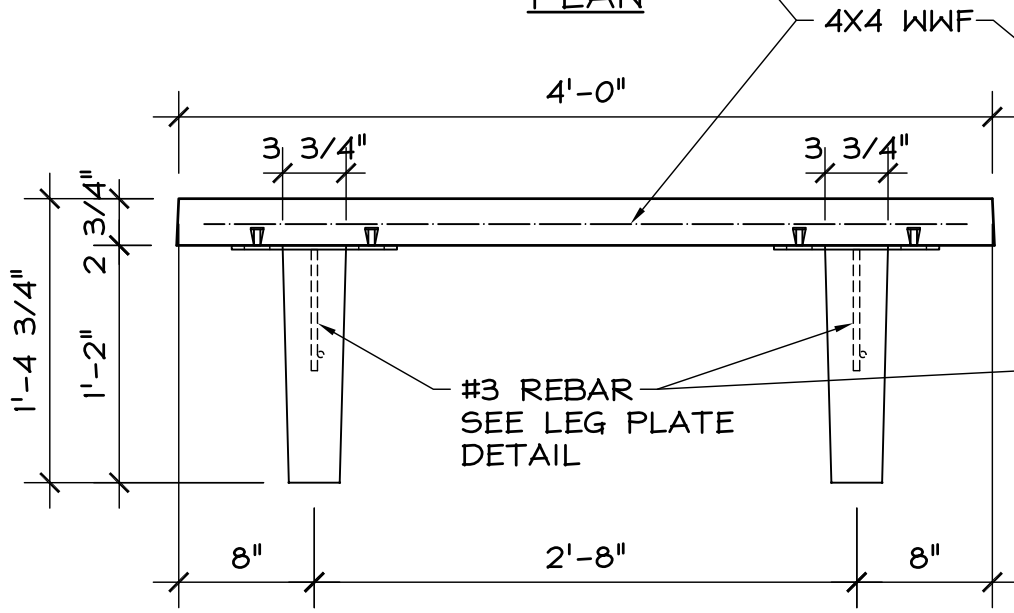


ELEVATION

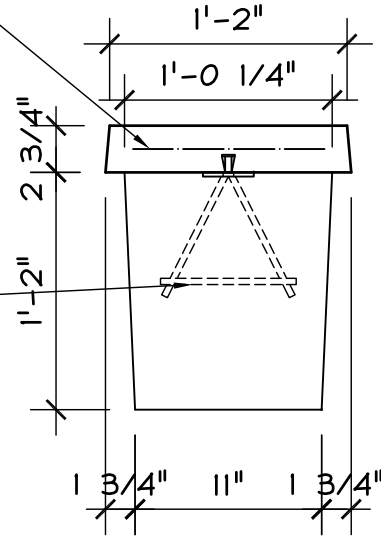


SIDE ELEVATION

LEG PLATE DETAIL



ELEVATION



END

WEIGHT: 235#

CONCRETE SPECIFICATIONS
 4000 f'c 28-DAY COMPRESSIVE STRENGTH
 4-7% ENTRAINED AIR
 MILD STEEL REINFORCING AS REQUIRED
 POLYPROPYLENE FIBER SECONDARY REINFORCING

FORMS
 SMOOTH SURFACE FIBERGLASS

COLORS
 GREY OR INTEGRAL COLOR (COHILLS COLOR PIGMENTS AVAILABLE)

STANDARD FINISH
 SMOOTH TOP
 EXPOSED AGGREGATE PEDESTAL
 COLORED CONCRETE: COLOR SEAL TOP
 CLEAR SEALER

MESA BENCH

BN-3048

ARCHITECTURAL PRECAST CONCRETE MATERIALS, INC.