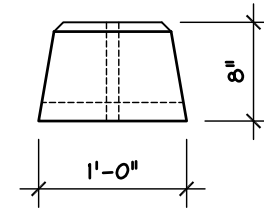
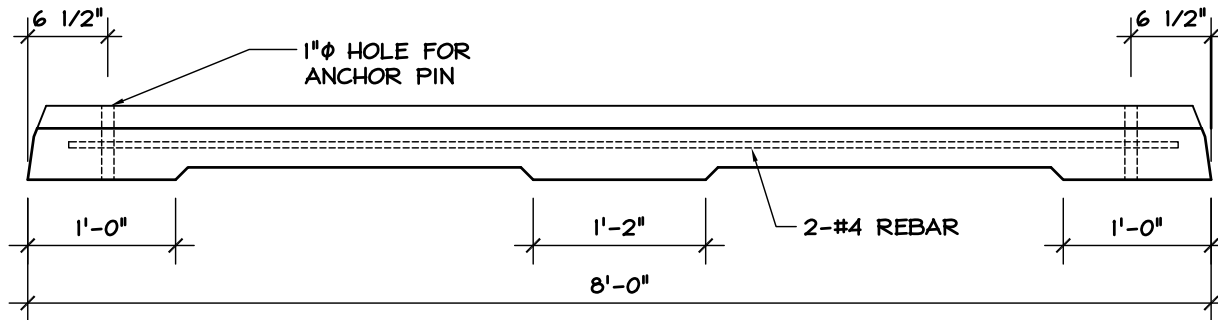


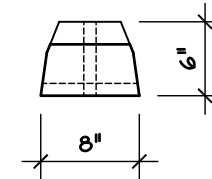
SUPER 8'



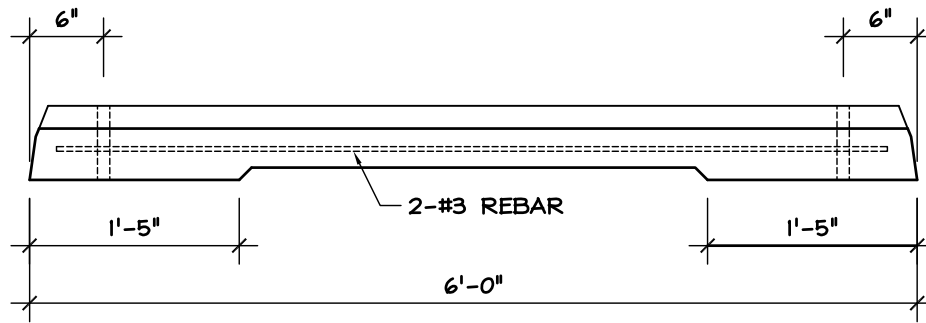
WEIGHT: 675#



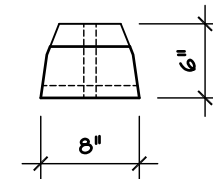
STANDARD 8'



WEIGHT: 350#



STANDARD 6'



WEIGHT: 230#

CONCRETE SPECIFICATIONS

4000 f'c 28-DAY COMPRESSIVE STRENGTH
4-7% ENTRAINED AIR
MILD STEEL REINFORCING AS REQUIRED

FORMS

SMOOTH SURFACE FIBERGLASS

COLORS

GREY

FINISHES

SMOOTH AS CAST

6'-0" & 8'-0"
PARKING BUMPERS

ARCHITECTURAL PRECAST CONCRETE
MATERIALS, INC.